



5/5/2006

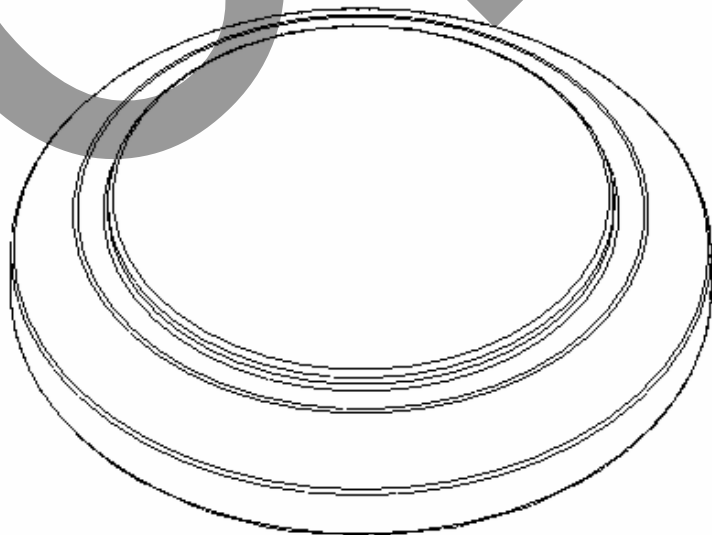
VISIT THE LIFETIME WEB SITE:
WWW.LIFETIME.COM

**** Do Not Contact the Store ****
For Assistance, including missing or broken parts,
Call Customer Service at:
1 (800) 225-3865

Shed Light Accessory Kit w/ 2 Lights

MODEL #0112

ASSEMBLY
INSTRUCTIONS AND
OWNER'S MANUAL



Save this instruction in the event that the manufacturer has to be contacted for replacement parts.

INSTRUCTION #1011559

STOP!

BEFORE BEGINNING ASSEMBLY

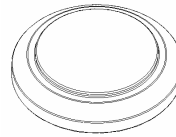
STOP!

Identify and inventory all parts using the checklist boxes on the Parts List. Keep the hardware bags and their contents separate. If any parts are missing, call our Customer Service Department.

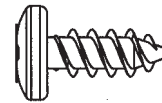
PARTS LIST

AA	HB00100	Battery Powered Light	2
Shed Light Hardware Bag [1011399]			1
SS	BS07500	1/4" x 5/8" Screw	5

AA

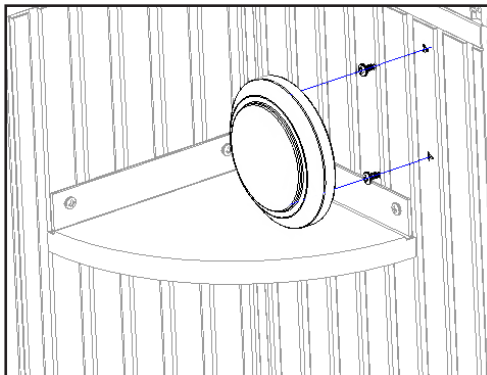


SS



1 Battery Light Installation

- 1a Light (AA) can be installed above Right Corner shelf (on 8 ft. sheds) or on the Front Gable. Insert two screws half-way into pilot holes. Hang light on screws.



NOTE
Open the battery compartment and remove the plastic tab between the battery and the metal contact.

Battery Light Features:

- Adjustable Timer**
- Auto shutoff
- Battery powered
- Easy on/off
- Easy mounting

