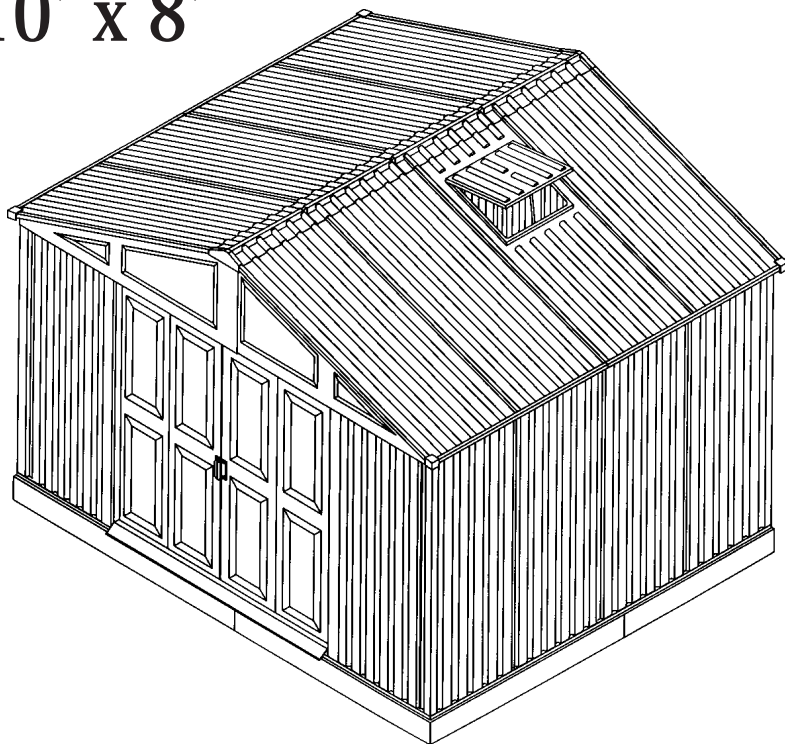


Greenhouse

OWNER'S MANUAL / Instructions for Assembly Size 10' x 8'

Ver: 1.0



Customer
Service Hotline
(800) 483-4674
www.uspolymersinc.com

Requires two people and takes 2-3 hours for Installation.

- Tall Walk in Shed
- Quick & Easy Assembly
- Ridge Reinforced Walls
- Wide Double Doors
- Available in Various Sizes

Call us for any missing or damaged parts.
Do not return to the store.

Duramax Storage Shed Limited Ten Year Warranty

U.S. Polymer Inc. will send a replacement part free of charge, in the event of material defects and or workmanship for a period of ten years from the date of purchase.

This warranty is extended only to the original purchaser. A purchase receipt or other proof of date of original purchase will be required before warranty service is rendered. In no event shall we pay the cost of flooring, labor, installation or any other costs related thereto.

This warranty only covers failures due to defects in material or workmanship which occurs during normal use and does not extend to color change arising due to normal weathering or to damage resulting from misuse or neglect, commercial use, failure to follow assembly instructions and the owner's manual (including proper anchoring of the shed), painting, forces of nature and other causes which is beyond our control.

Claims under this warranty must be made within the warranty period by calling 1-800-483-4674 or mail in a dated sales slip and clear photograph of the part to:

U.S. Polymers, Inc.
6915 Slauson Avenue
Commerce, CA 90040

We reserve the right to discontinue or change components. If a component has been discontinued or is not available,

U.S. Polymers, Inc. reserves the right to substitute a component of equal quality as may be compatible.

Limits and Exclusions

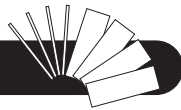
There are no express warranties except as listed above. The warrantor shall not be liable for incidental or consequential damages resulting from the use of this product, or arising out of any breach of this warranty.

All express warranties are limited to the warranty period set forth above. Some states do not allow the exclusion or limitation on how long an implied warranty lasts, so the above limitations may not apply to you.

This warranty gives you specific legal rights and you may also have other rights which vary from state to state or country to country.

IMPORTANT: USE HAND GLOVES TO PREVENT INJURY.

Parts List



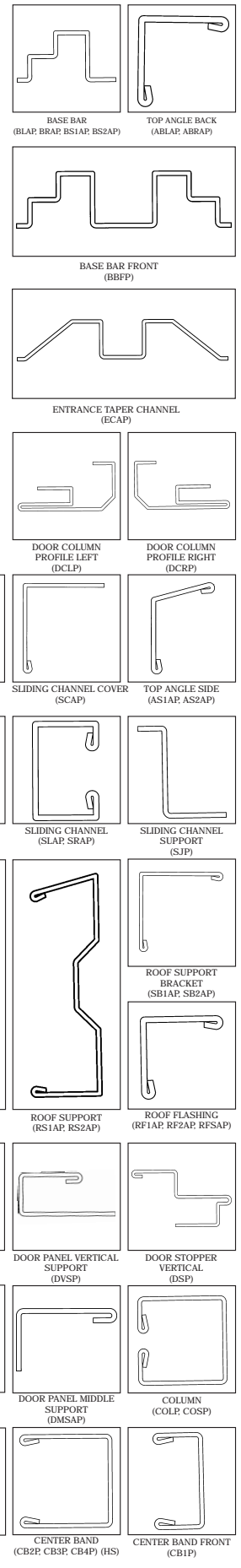
Note: Check all parts prior to installation.

CODE	DESCRIPTION	QTY
FC1AP	FOUNDATION 'U' CHANNEL	2
FC2AP	FOUNDATION 'U' CHANNEL	2
FC3AP	FOUNDATION 'U' CHANNEL	2
FC4AP	FOUNDATION 'U' CHANNEL	2
FCCP	FOUNDATION 'U' CHANNEL	4
BLAP	BASE BAR BACK LEFT	1
BRAP	BASE BAR BACK RIGHT	1
BS1AP	BASE BAR SIDE FRONT LEFT / BACK RIGHT	2
BS2AP	BASE BAR SIDE FRONT RIGHT / BACK LEFT	2
BBFP	BASE BAR FRONT	2
ECAP	ENTRANCE TAPER CHANNEL	1
COLP	COLUMN LONG	16
COSP	COLUMN SHORT	2
DCLP	DOOR COLUMN PROFILE LEFT	1
DCRP	DOOR COLUMN PROFILE RIGHT	1
CS	COLUMN SUPPORT	4
CB1P	CENTER BAND FRONT	2
CB2P	CENTER BAND SIDE FRONT	2
CB3P	CENTER BAND SIDE FRONT	2
CB4P	CENTER BAND MIDDLE	9
SLAP	SLIDING CHANNEL LEFT	1
SRAP	SLIDING CHANNEL RIGHT	1
SJP	SLIDING CHANNEL JOINT	1
SCAP	SLIDING CHANNEL COVER	2
AS1AP	TOP ANGLE SIDE FRONT LEFT / BACK RIGHT	2
AS2AP	TOP ANGLE SIDE FRONT RIGHT / BACK LEFT	2
ABLAP	TOP ANGLE BACK LEFT	1
ABRAP	TOP ANGLE BACK RIGHT	1
SB1AP	SUPPORT BRACKET FRONT RIGHT/BACK LEFT	2
SB2AP	SUPPORT BRACKET FRONT LEFT/BACK RIGHT	2
SB3AP	SUPPORT BRACKET LONG FRONT RIGHT/BACK LEFT	2
SB4AP	SUPPORT BRACKET LONG FRONT LEFT/BACK RIGHT	2
FBS	FACIA BRACKET SUPPORT	8
FSLAP	FACIA SUPPORT LEFT	2
FSRAP	FACIA SUPPORT RIGHT	2
RS1AP	ROOF SUPPORT	4
RS2AP	ROOF SUPPORT	4
RS4AP	ROOF STRUCTURE	6
RF1AP	ROOF FLASHING FRONT RIGHT/BACK LEFT	2
RF2AP	ROOF FLASHING FRONT LEFT/BACK RIGHT	2
RFSAP	ROOF FLASHING SIDE	4
DSTAP	DOOR PANEL STRIP TOP	2
DSBAP	DOOR PANEL STRIP BOTTOM	2
DMSAP	DOOR PANEL MIDDLE SUPPORT	2
DVSP	DOOR PANEL VERTICAL SUPPORT	2
DSP	DOOR STOPPER VERTICAL	2
HS	HINGES SUPPORT	1
HAS	HIGHT ADJUSTABLE SUPPORT	1
WP1A	FRONT WALL PANEL LEFT	1
WP2A	FRONT WALL PANEL RIGHT	1
WP3A	CORNER WALL PANEL	4
WP4A	WALL PANEL	9
FLAP	FACIA PANEL LEFT	2
FRAP	FACIA PANEL RIGHT	2
RP1AP	ROOF PANEL	2
RP2AP	ROOF PANEL	1
RP3AP	ROOF PANEL	2
RP4AP	ROOF PANEL	2
RP2AG	ROOF PANEL	1
RPWG	ROOF PANEL WINDOW	1
RC1P	RIDGE COVER	1
RC2P	RIDGE COVER	3
DL1AP	DOOR PANEL LEFT	1
DL2AP	DOOR PANEL LEFT	1
DR1AP	DOOR PANEL RIGHT	1
DR2AP	DOOR PANEL RIGHT	1
VBCS1	VENTILATION BLOCKING COVER SIDE-1	6
VBCS2	VENTILATION BLOCKING COVER SIDE-2	2
VBCF	VENTILATION BLOCKING COVER FRONT/BACK	7

ACCESSORIES

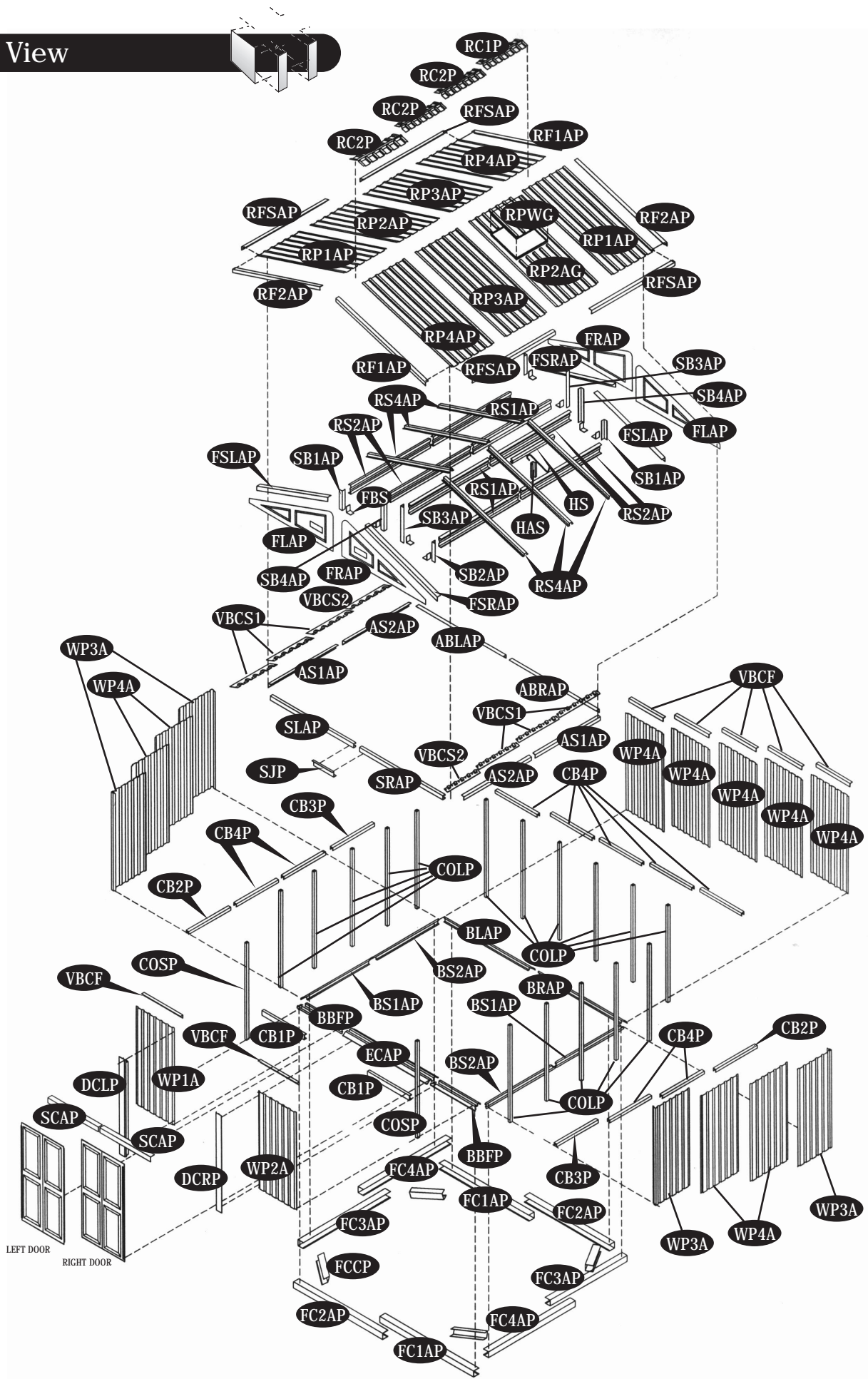
CODE	DESCRIPTION	QTY
FCFP	FRONT COLUMN FITTING	2
CCFP	CORNER COLUMN FITTING	4
CFP	COLUMN FITTING	18
DCBFP	DOOR COLUMN BOTTOM FITTING	2
CBFP	CENTER BAND FITTING	10
BS	BOTTOM SLIDER	4
DH	DOOR HANDLE	2
FC	RIDGE END CAP	2
TC	TOP CORNERS	4
TS	TOP SLIDER	4
PPG	ROOF PLUG WITH WASHER	54
PIN	ROOF PIN	54
PW	PLASTIC WASHERS	318
PC	PLASTIC SCREW COVER	109
WHG	HOOK	1
EDP	EDGING PROFILE	1
S1	SHEET METAL SCREW DIA. 4.2mm.x16.0mm. (5/32"x5/8")	548
S3	MACHINE SCREW with NUTS M4x10.0mm. (5/32"x3/8")	84
S7	SHEET METAL SCREW DIA. 4.2mm.x10.0mm. (5/32"x3/8")	76

PROFILES



IMPORTANT: USE HAND GLOVES TO PREVENT INJURY.

Exploded View



IMPORTANT: USE HAND GLOVES TO PREVENT INJURY.

A. Foundation & Base Frame

Note: It is important that these instructions are followed step by step.

Note

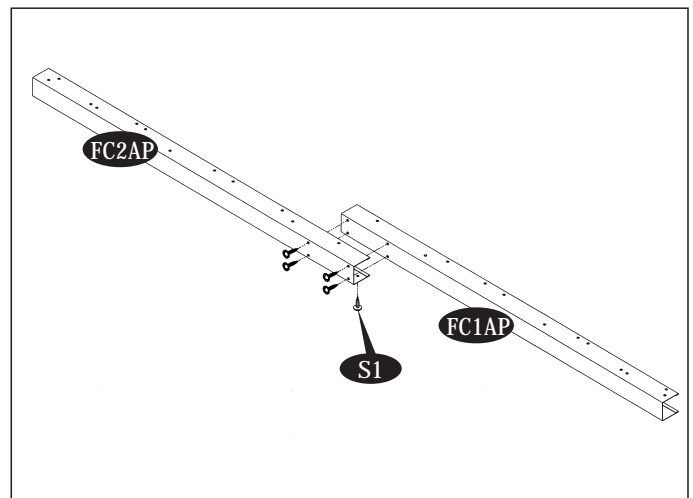


Before Assembling Foundation make sure that the floor level should be perfect flat.

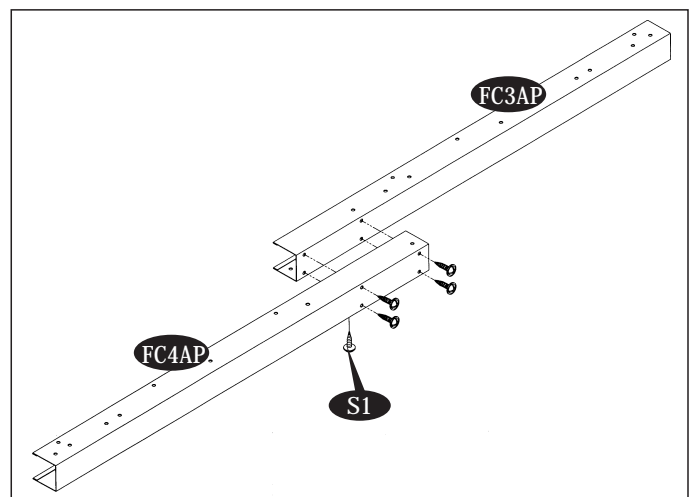
Parts needed:

(2) Foundation 'U' Channel	(FC1AP)
(2) Foundation 'U' Channel	(FC2AP)
(2) Foundation 'U' Channel	(FC3AP)
(2) Foundation 'U' Channel	(FC4AP)
(4) Foundation 'U' Channel	(FCCP)
(1) Base bar back left	(BLAP)
(1) Base bar back right	(BRAP)
(2) Base bar side	(BS1AP)
(2) Base bar side	(BS2AP)
(2) Base bar front	(BBFP)
(1) Entrance taper channel	(ECAP)
(16) Sheet metal screws	(S7)
(72) Sheet metal screws	(S1)

1. Assemble the channel (FC1AP) & (FC2AP) together using (S1) screws. Make 2 sets.



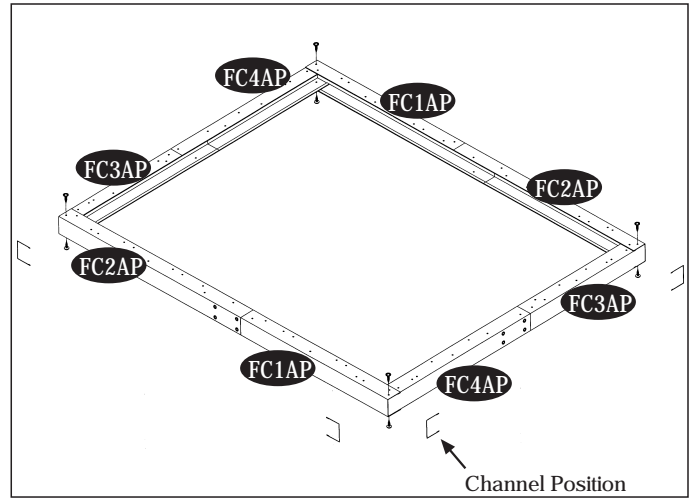
2. Assemble the channel (FC3AP) & (FC4AP) together using (S1) screws. Make 2 sets.



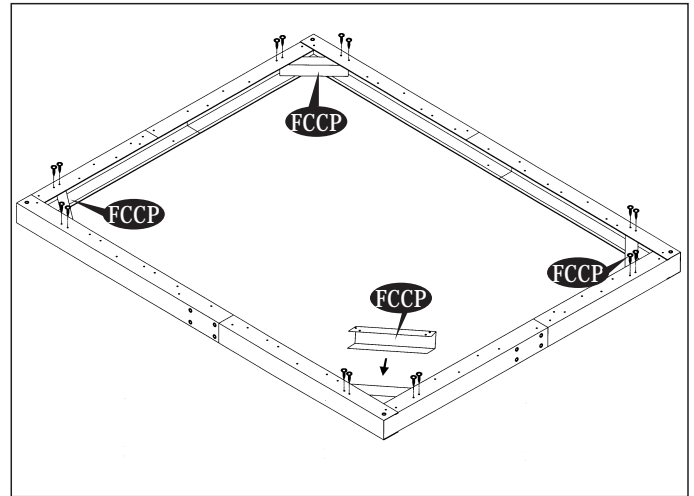
3. Make a frame with the sub assemblies as shown below.



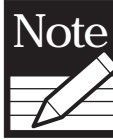
Make sure while assembling the channel position should be same as shown.



4. Fix the channel (FCCP) to all the four corners to make a perfect frame. See Fig.



5. Assemble base bar back left (BLAP) and base bar back right (BRAP) with four (S7) screws. See fig. 1 & 2.



Take care of sharp edges.

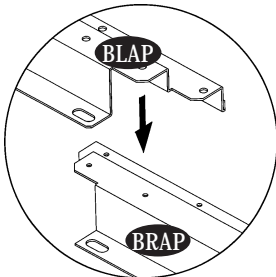


Fig.1

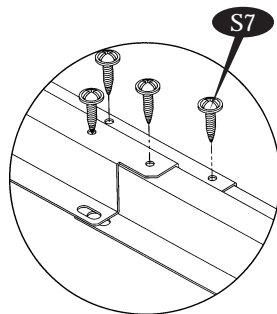
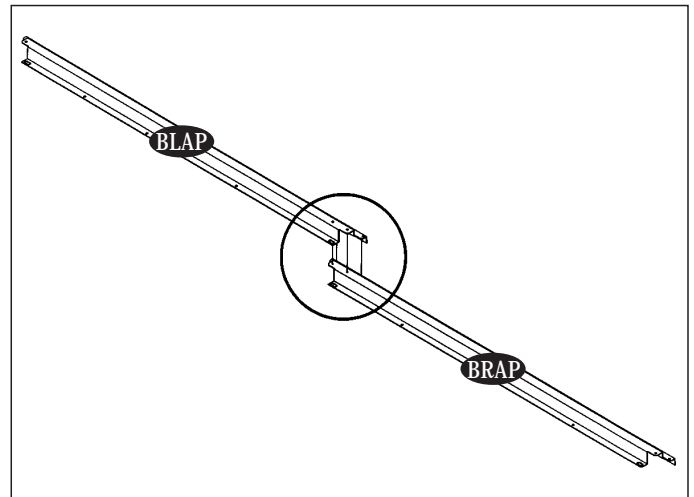
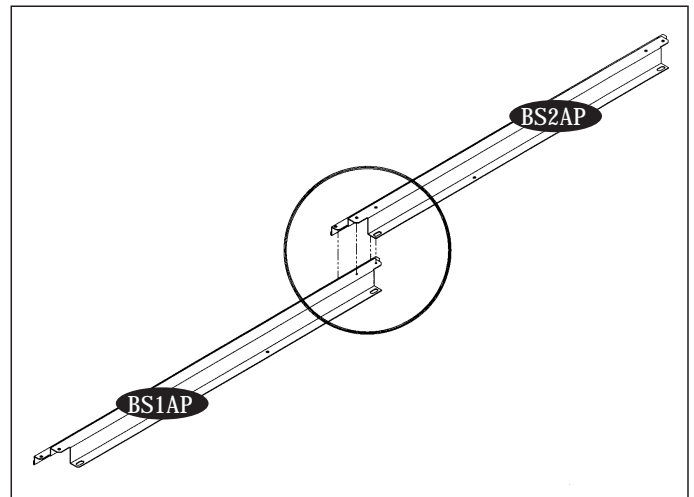
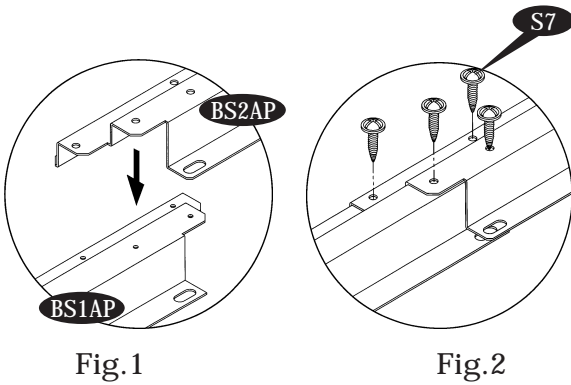


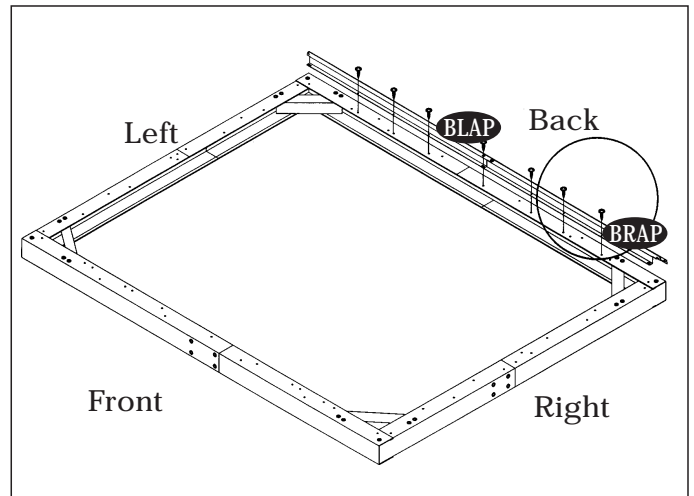
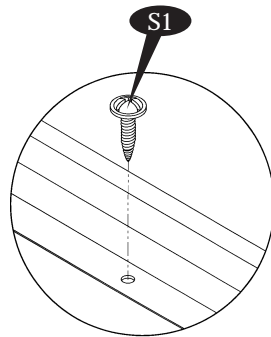
Fig.2



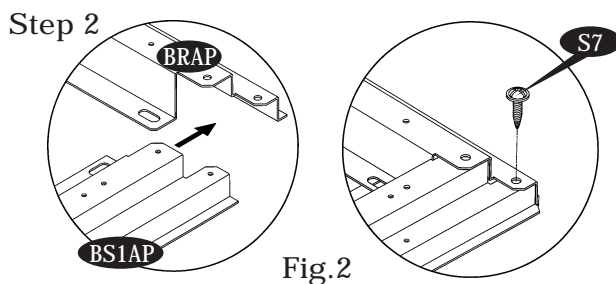
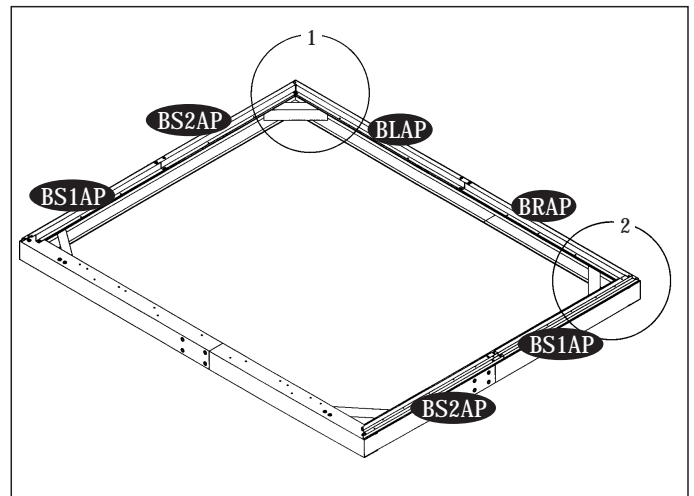
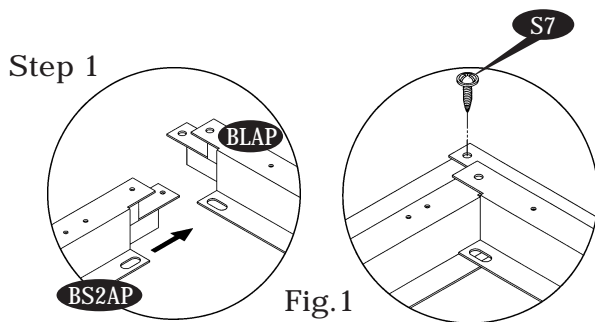
6. Assemble base bar side (BS1AP) and (BS2AP) together with four (S7) screws. See fig. 1 & 2. Make two sets



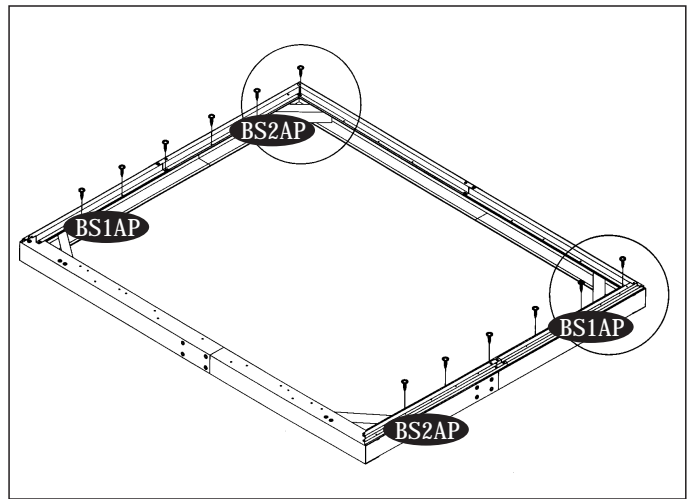
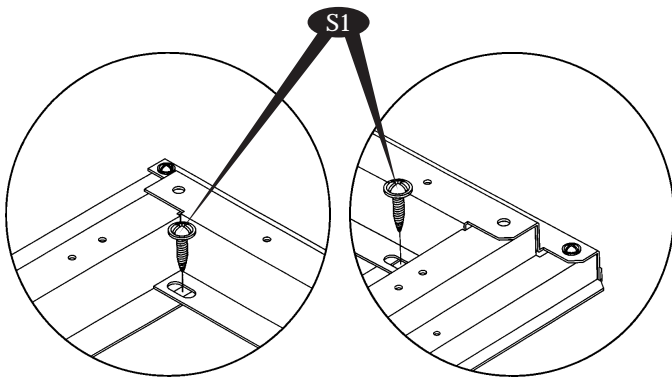
7. Place the base bar assembly on top of the foundation. Use (S1) screws to fix the assembly to foundation.



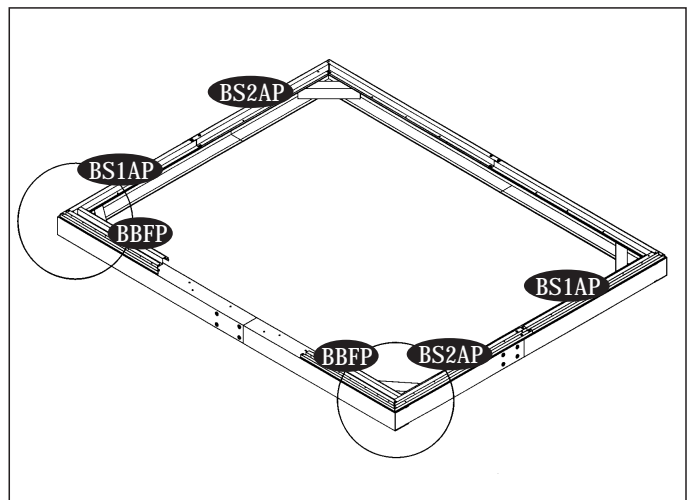
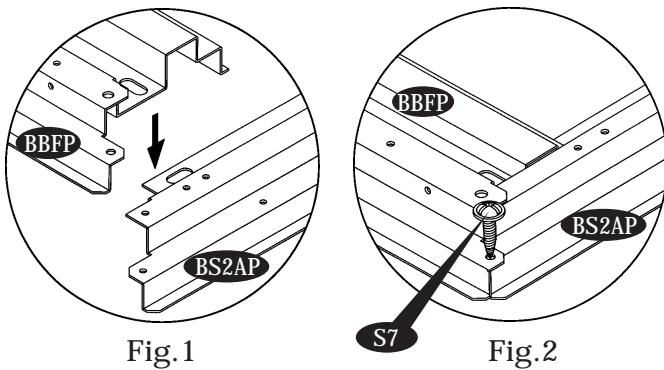
8. Insert the base bar side assembly on left side. Insert the edge of (BS2AP) into the back base bar (BLAP) and Secure with (S7) screws see fig. 1 . Place the base bar side assembly on right side. Insert the edge of (BS1AP) into the back base bar (BRAP) and secure with (S7) screws.



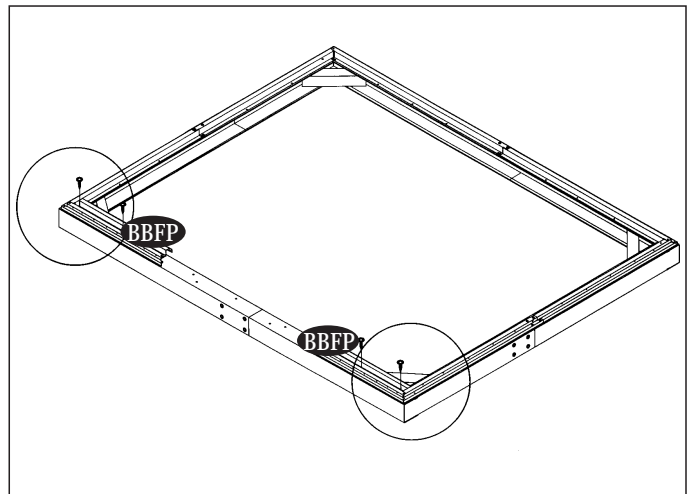
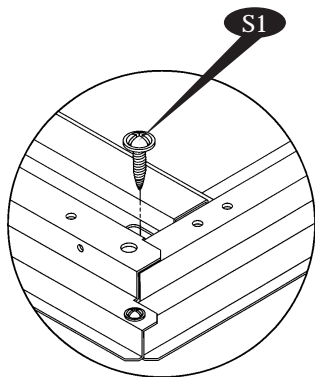
9. Using a carpenter square, line up the corners. Secure the base bar side assembly to the foundation with (S1) screws. See blowup.



10. Place the base bar (BBFP) on top of base bar side on both side. Secure the with (S7) screw.



11. Using the carpenter square, line up the corners. Secure the base (BBFP) to the foundation with (S1) screws.



12. Place the entrance taper channel (ECAP) on top of the (BBFP). Secure with (S1) screws to the foundation. See fig. 1 & 2.

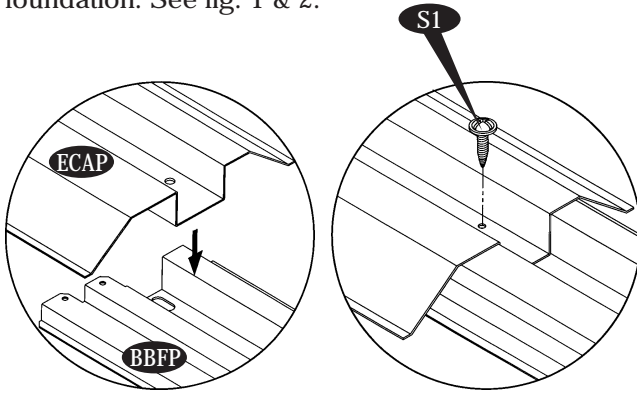
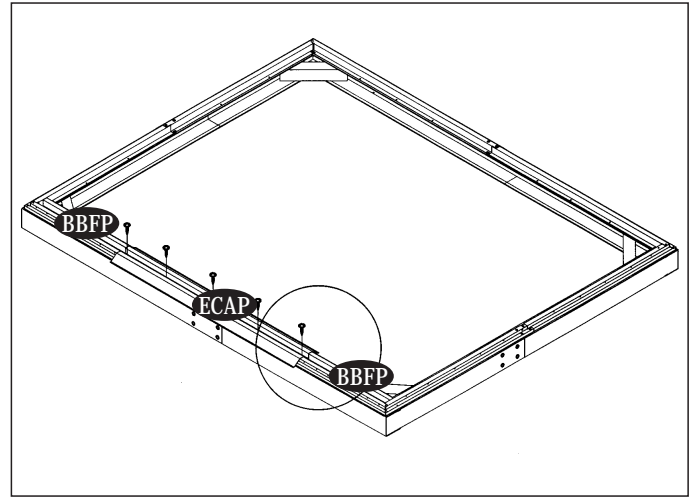


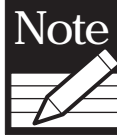
Fig.1

Fig.2



Note After completing the assembly of the base bar fill the concrete or sand upto the foundation top surface

B. Walls & Columns

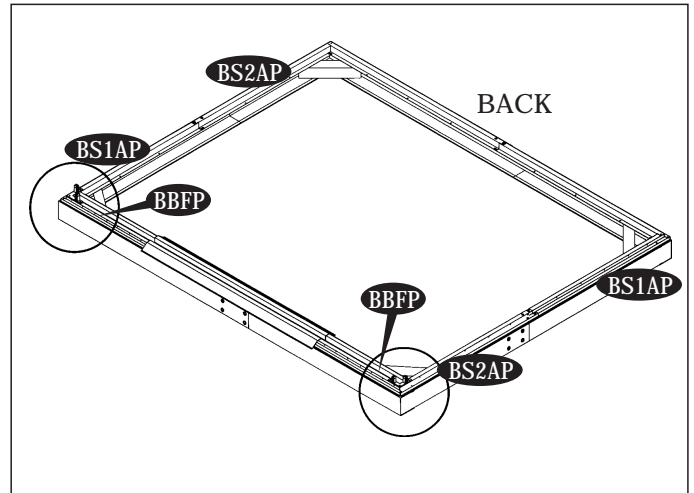
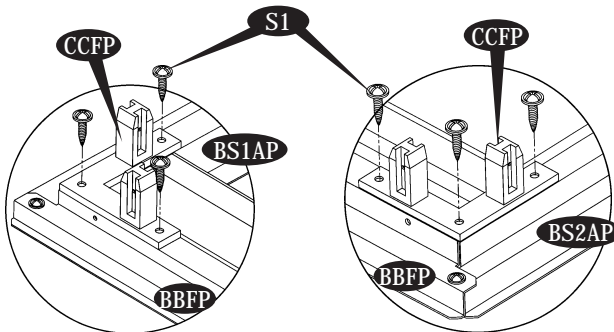


Note All panels are clearly marked and care should be taken to use the correct one.

Parts Needed:

(2) Column short	(COSP)	(2) Center band side front	(CB2P)
(16) Column long	(COLP)	(2) Center band side back	(CB3P)
(4) Column support	(CS)	(9) Center band middle	(CB4P)
(1) Wall panel front left	(WP1A)	(1) Door column profile left	(DCLP)
(1) Wall panel front right	(WP2A)	(1) Door column profile right	(DCRP)
(4) Wall panel corner	(WP3A)	(4) Corner column fitting	(CCFP)
(9) Wall panel side	(WP4A)	(10) Center band fitting	(CBFP)
(1) Sliding channel right	(SRAP)	(2) Door column bottom fitting	(DCBF)
(1) Sliding channel left	(SLAP)	(2) Front column fitting	(FCFP)
(1) Sliding channel joint	(SJP)	(18) Column fitting	(CFP)
(2) Sliding channel cover	(SCAP)	(4) Top slider	(TS)
(2) Top angle side front left / back right	(AS1AP)	(158) Plastic washer	(PW)
(2) Top angle side front right / back left	(AS2AP)	(7) Ventilation Blocking Cover front/back	(VBCF)
(1) Top angle back left	(ABLAP)	(292) Sheet metal screw	(S1)
(1) Top angle back right	(ABRAP)	(18) Sheet metal screw	(S7)
(2) Center band front	(CB1P)		

1. Place the corner column fitting (CCFP) on top of the base bar (BBFP & BS1AP). Secure with the three (S1) screws to the base bar. Follow the same at the other corner.



2. Insert the column (COSP) & (COLP) in to corner column fitting and secure with (S1) screws from inside. Insert the column (COSP) at the top of base (BBFP) and column (COLP) at the top of (BS2AP)



Make sure the direction of the column opening and arrow up as per blow up.

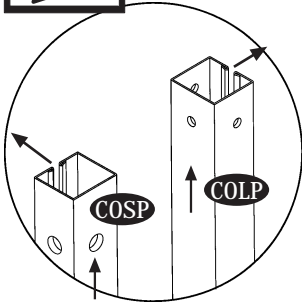


Fig.1

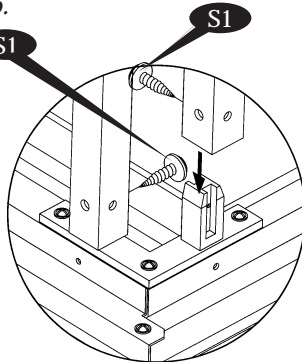
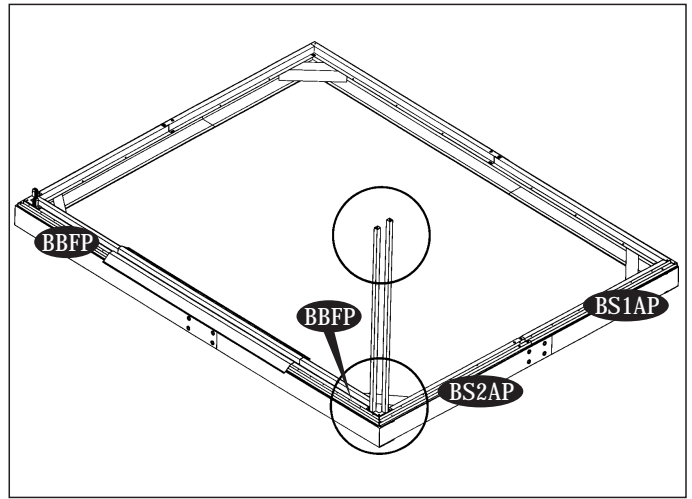
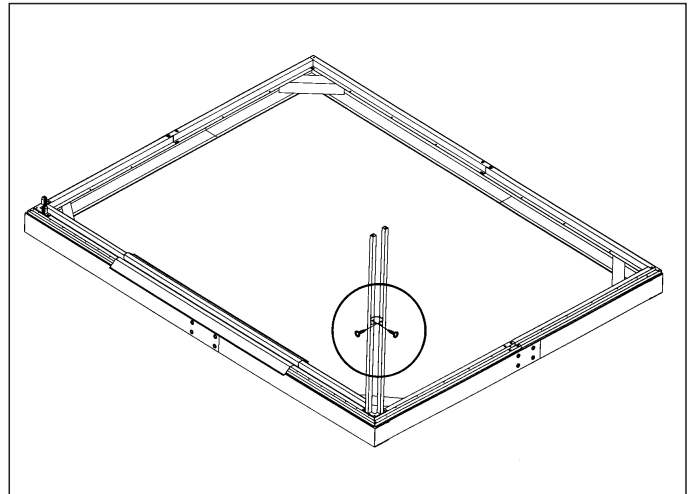
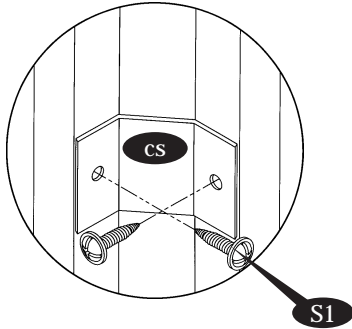


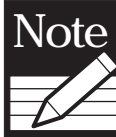
Fig.2



3. Fix the column support (CS) to the column with two (S1) screws.



4. Insert the column (COSP) & (COLP) in to corner column fitting and secure with (S1) screws from inside. Insert the column (COSP) at the top of base (BBFP) and column (COLP) at the top of (BS1AP)



Make sure the direction of the column opening and arrow up as per blow up.

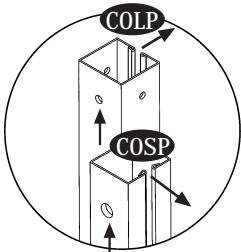


Fig.1

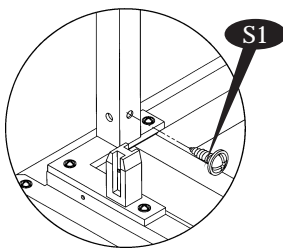


Fig.2

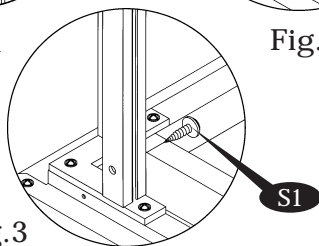
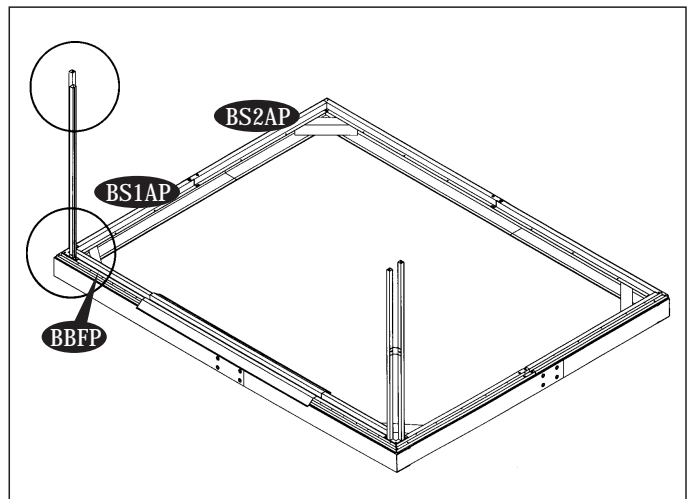
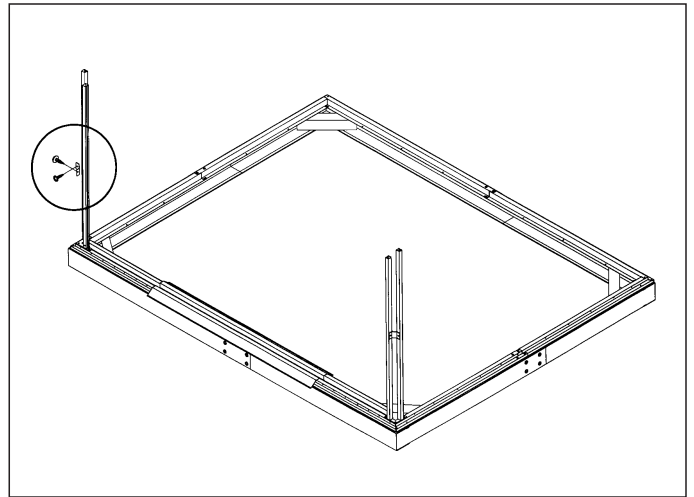
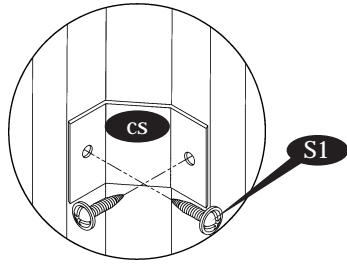


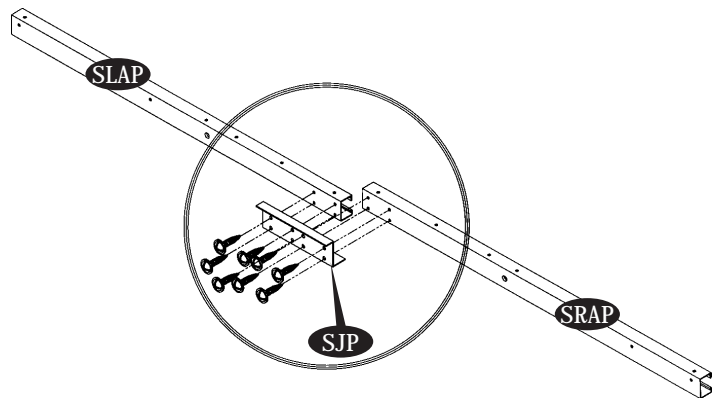
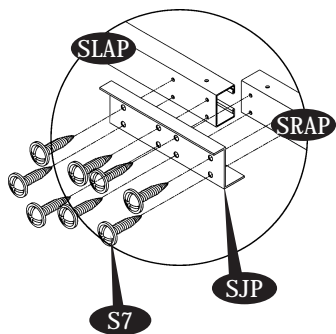
Fig.3



5. Fix the column support (CS) to the column with two (S1) screws.



6. Assemble the sliding channel (SLAP & SRAP) together with sliding channel joint (SJP). Secure with 8 screws (S7)



7. Insert the front column fitting at the top of front column (COSP) and secure with (S1) screws from inside. Continue the same at the other side.

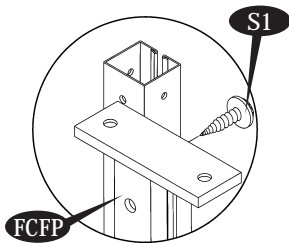


Fig.1

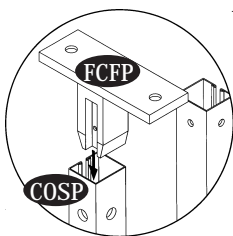
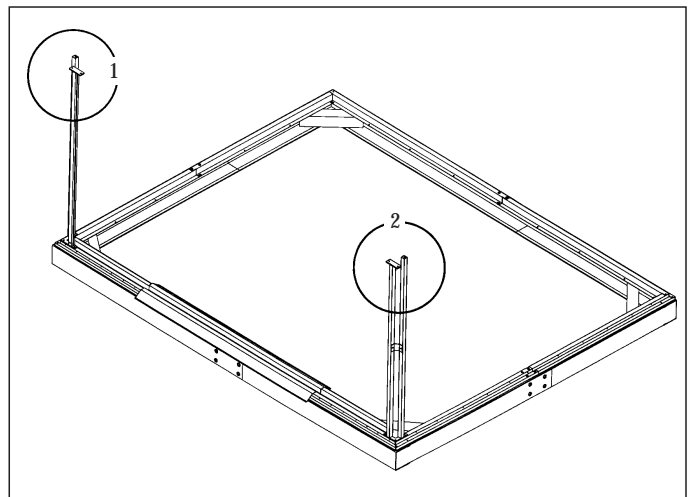
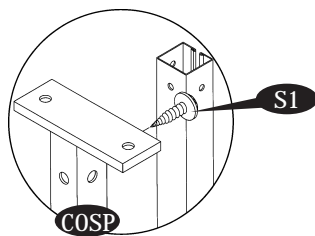
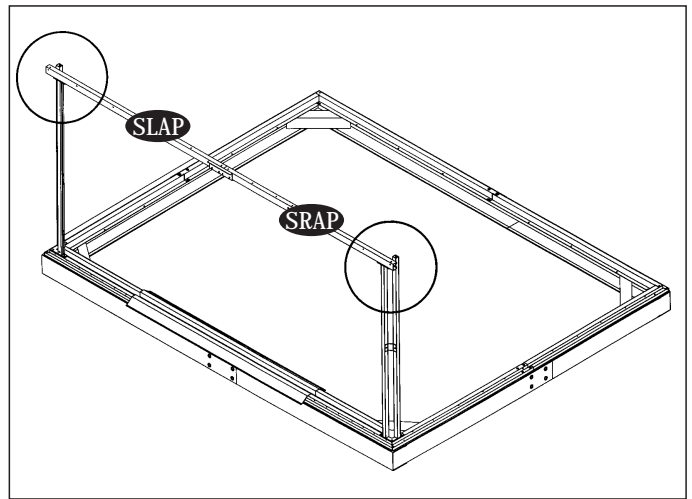
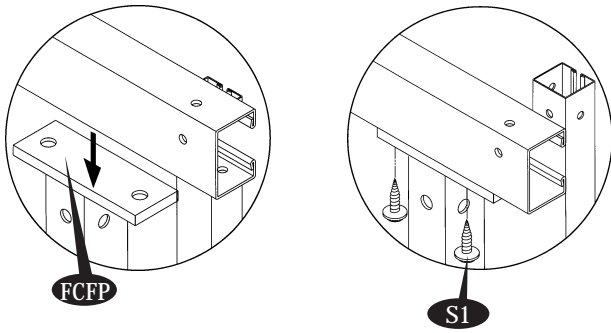


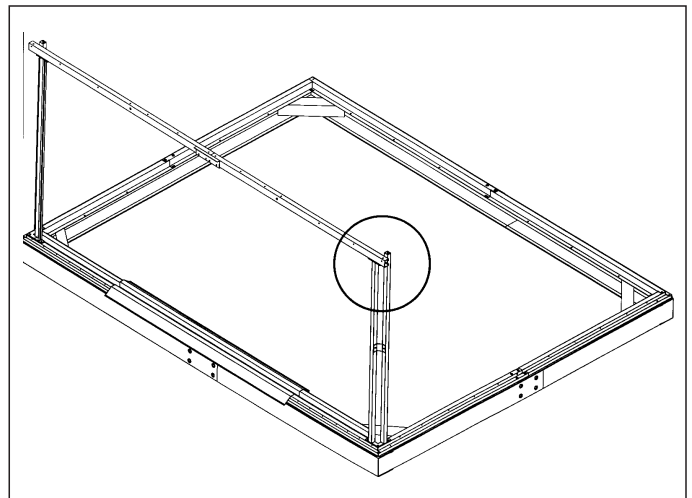
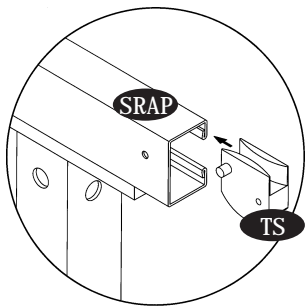
Fig.2



8. Place the sliding channel assembly (SLAP & SRAP) on the top of front column fitting at the both ends. Secure with (S1) screws.



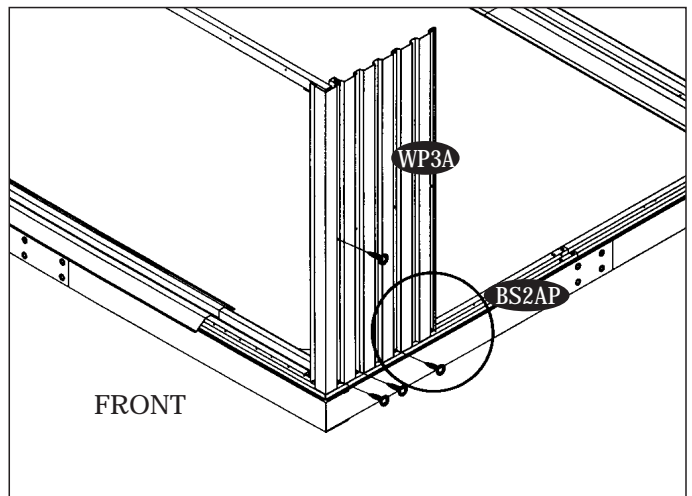
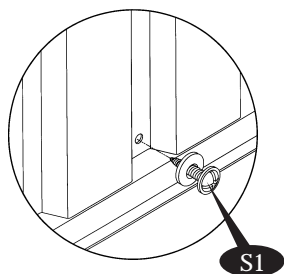
9. Insert 4 nos of top slider (TS) into the sliding channel as per the direction shown.



10. Place the wall panel (WP3A) on the base bar (BS2AP) front right side of the shed. Line up the holes with base bar. Secure with (S1) screws with washers from out side.



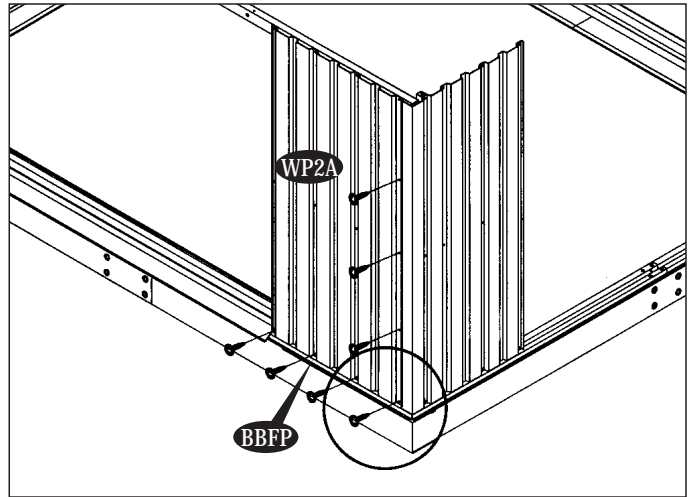
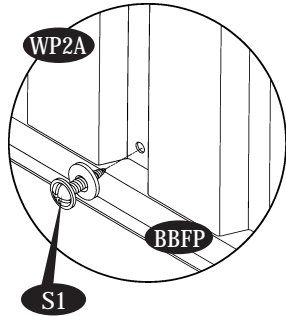
First fix the middle screws then go to the edges.



11. Place the wall panel (WP2A) on the base bar (BBFP). Line up the holes with base bar. Secure with (S1) Screws.



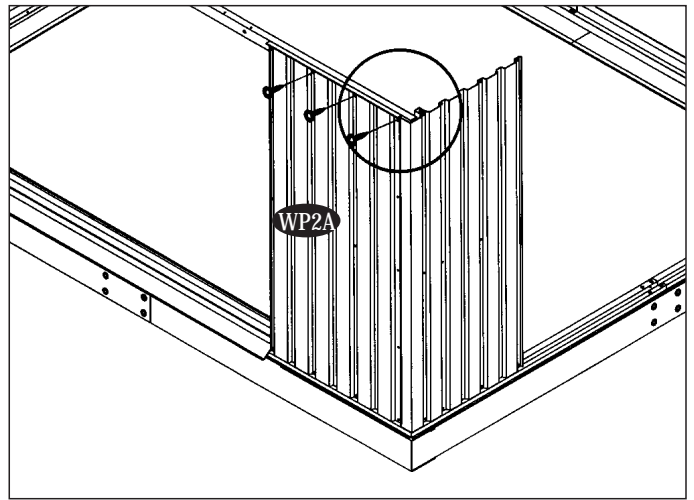
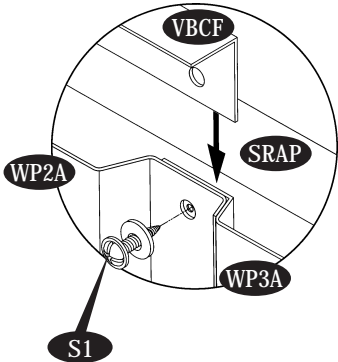
First fix the middle screws then go to the edges.



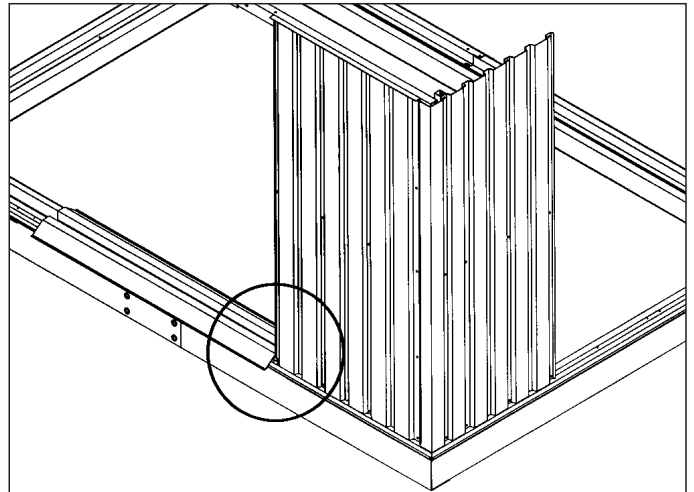
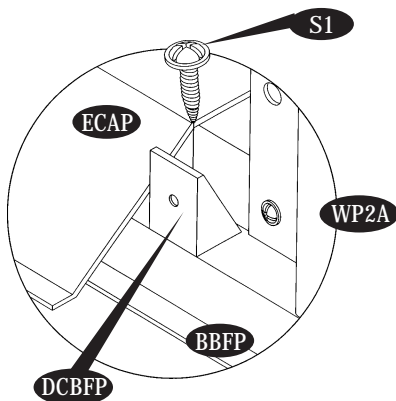
12. Insert the Ventilation Blocking Cover (VBCF) in between the sliding channel (SRAP) and the wall panel (WP2A). Lineup the holes with the sliding channel & secure with (S1) screws.



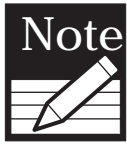
First fix the middle screws then go to the edges.



13. Fix to door column bottom fitting (DCBFP) on the base bar (BBFP) with (S1) screws.



14. Place the right Door column (DCRP) on top of the base bar (BBFP) and insert into the wall panel (WP2A). Line up the holes with wall panel and secure with (S1) screws.



Note Make sure the door column bottom fitting to be inside the door column.

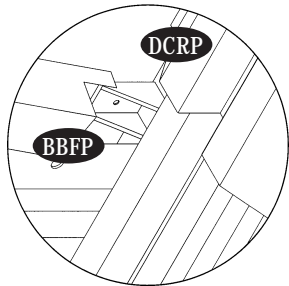


Fig. 1

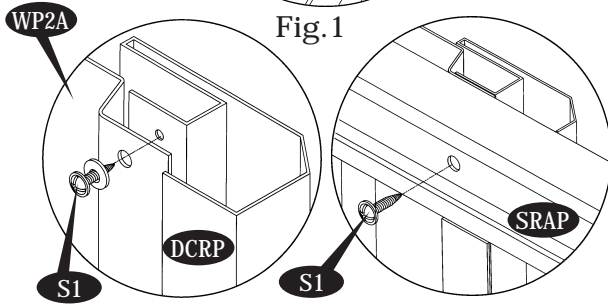
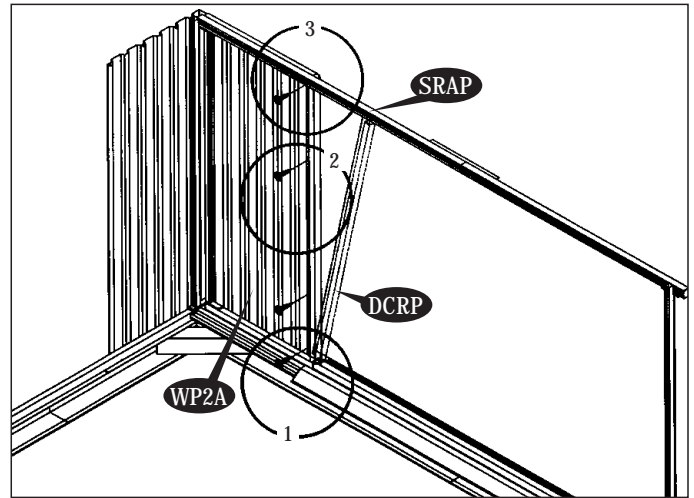
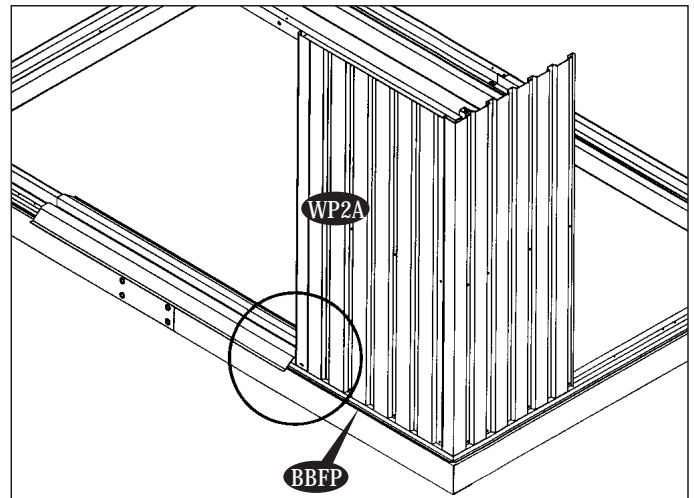
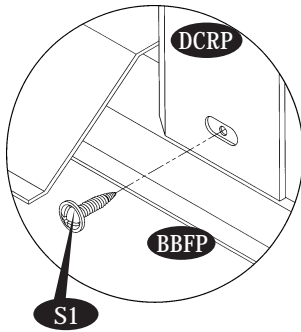


Fig. 2

Fig. 3



15. Fix the door column bottom to the fitting (DCBFP) with (S1) screws.



16. Assemble the center band (CB1P) with column fitting (CFP). Secure with (S1) screw at one end. Make 2 Sets.

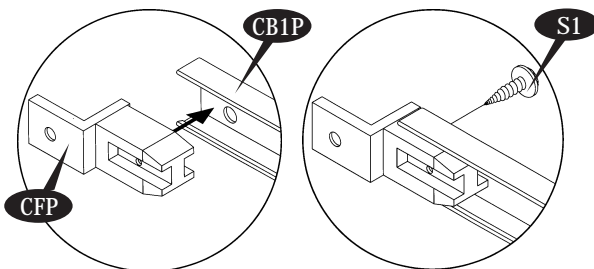
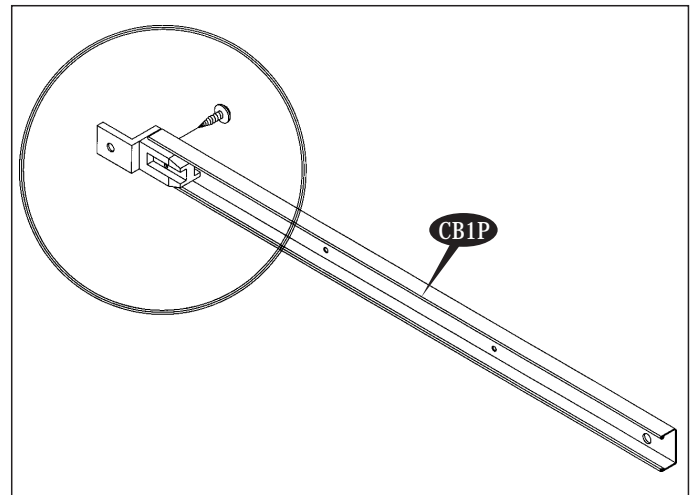
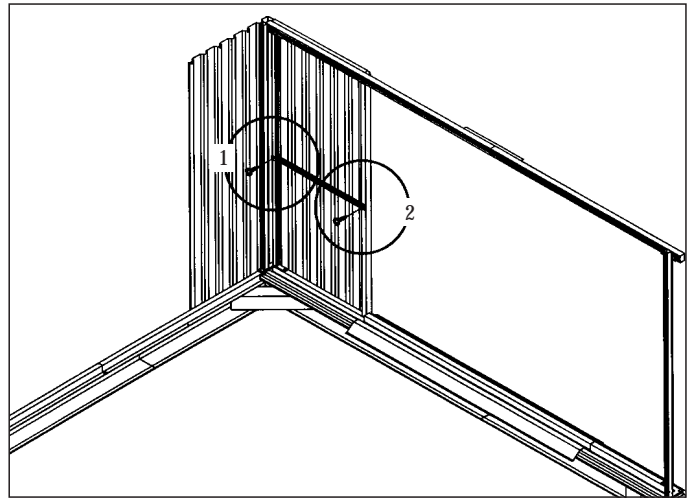
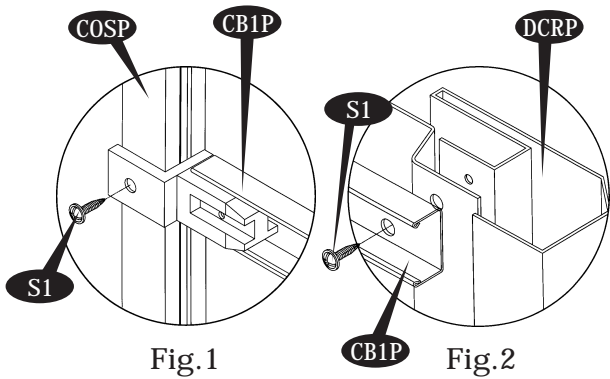


Fig. 1

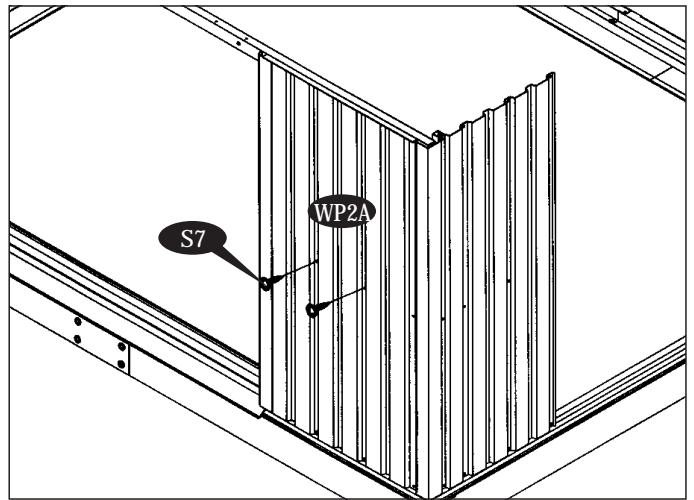
Fig. 2



17. Fix the column fitting (CFP) to the front column (COSP) with (S1) screws from inside, fix the other end to the Door Column (DCRP) through the wall panel with (S1) screw from inside.



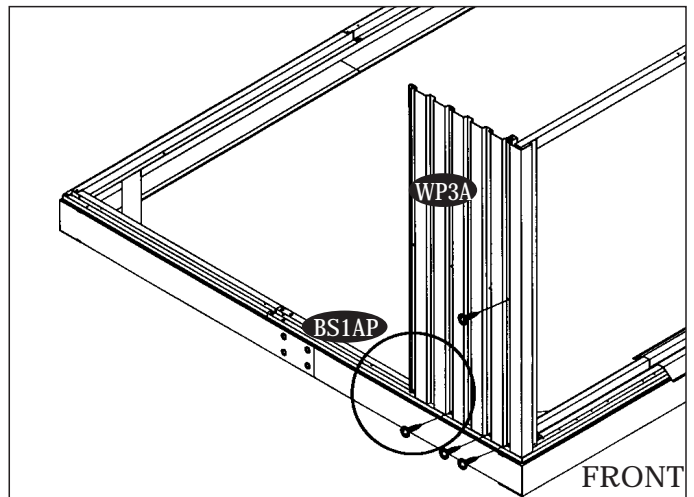
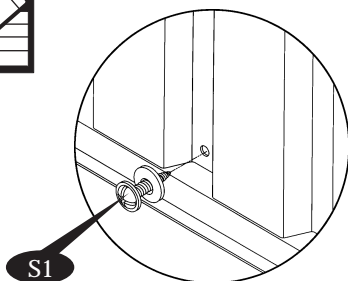
18. Secure the wall panel (WP2A) to the center band (CB1P) with (S7) screws from outside.



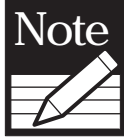
19. Place the wall panel (WP3A) on the base bar (BS1AP) front left side. Line up the holes with base bar. Secure with (S1) screws with washers from out side.



First fix the middle screws then go to the edges.



20. Place the wall panel (WP1A) on the base bar (BBFP). Line up the holes with base bar. Secure with (S1) screws.



Make sure the overlapping position of panels is as shown in fig. 2.



First fix the middle screws then go to the edges.

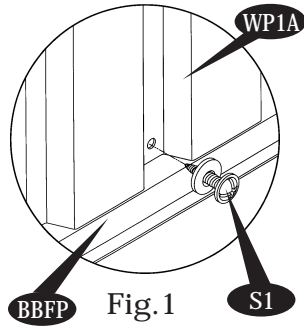
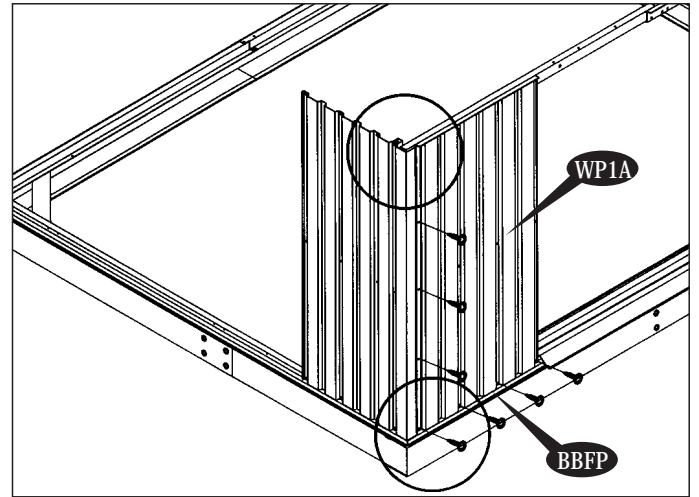
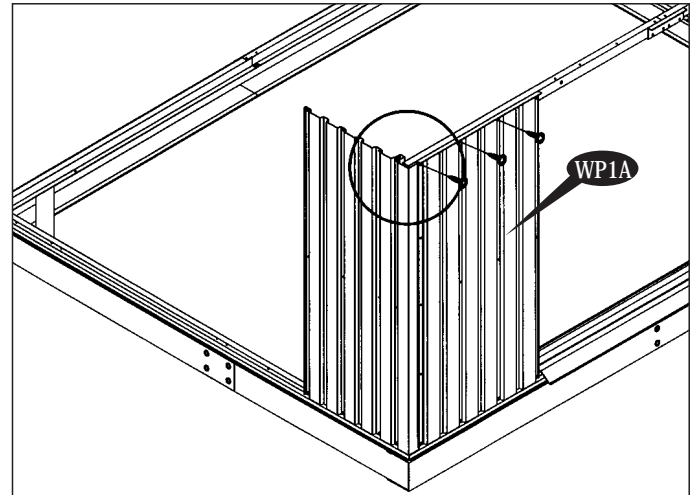
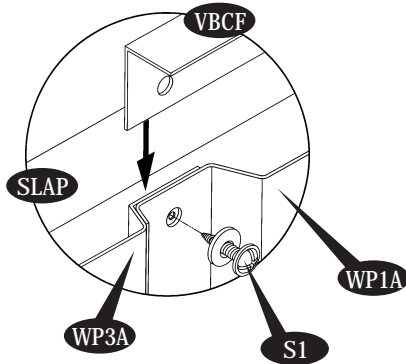


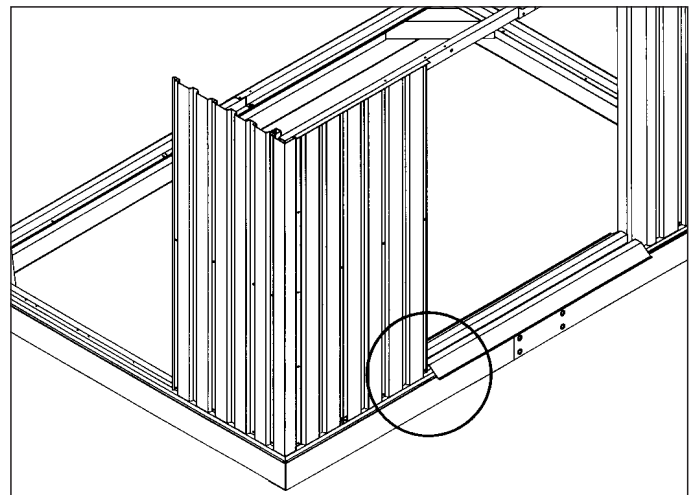
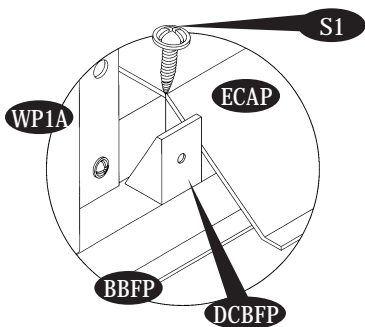
Fig.1



21. Insert the Ventilation Blocking Cover (VBCF) in between the sliding channel (SLAP) and the wall panel (WP1A). Lineup the holes with the sliding channel & secure with (S1) screws.

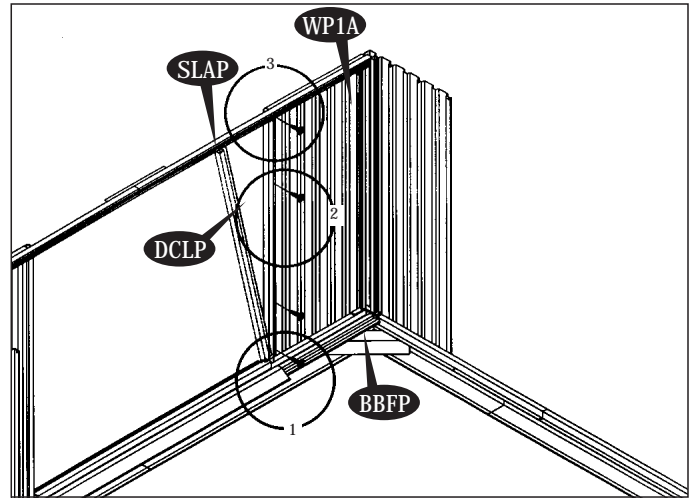
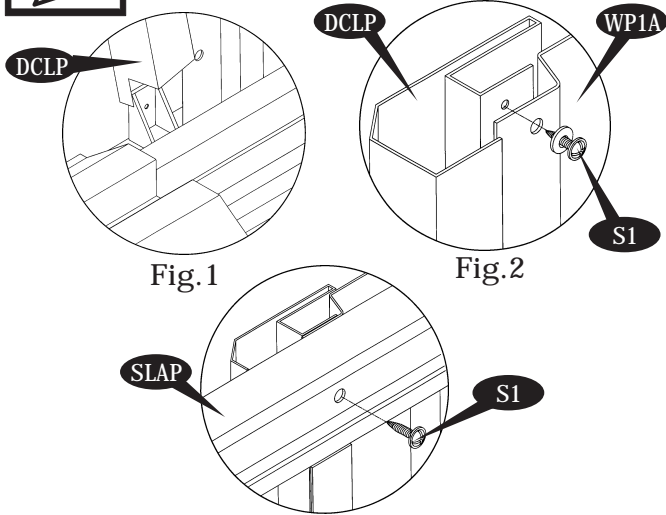


22. Fix to door column bottom fitting (DCBFP) on the base bar (BBFP) with (S1) screws.

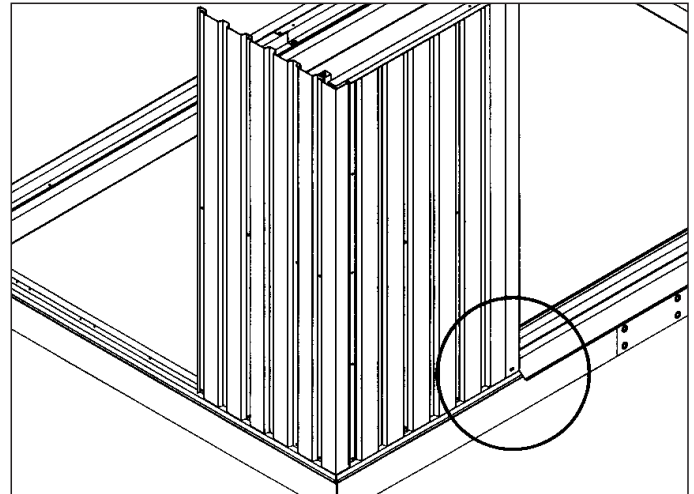
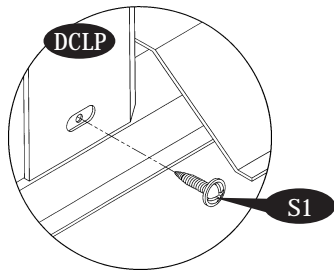


23. Place the left Door Column (DCLP) on top of the base bar (BBFP) and insert in to the wall panel (WP1A). Line up the holes with wall panel and secure with (S1) screws.

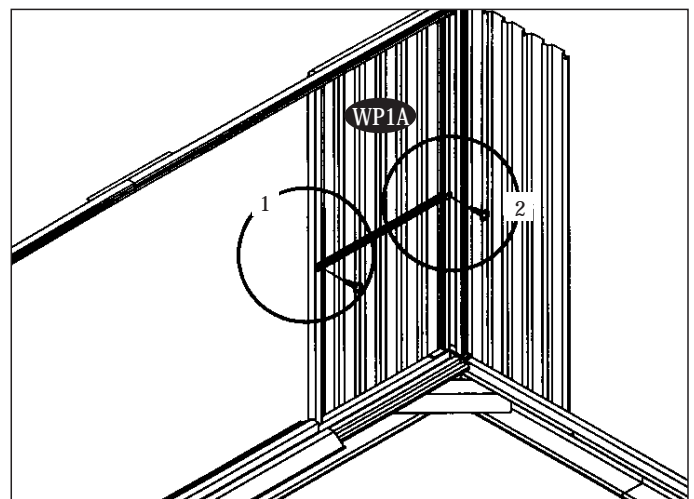
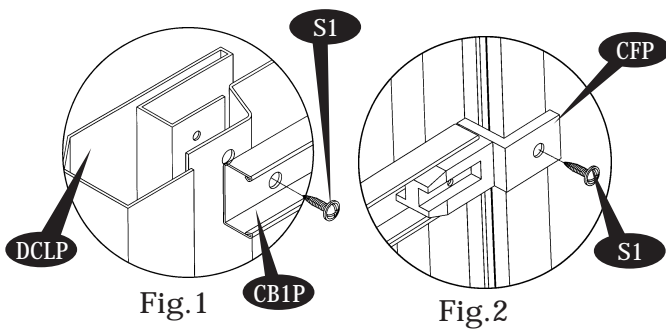
Note *Make sure the door column bottom fitting to be inside the door column.*



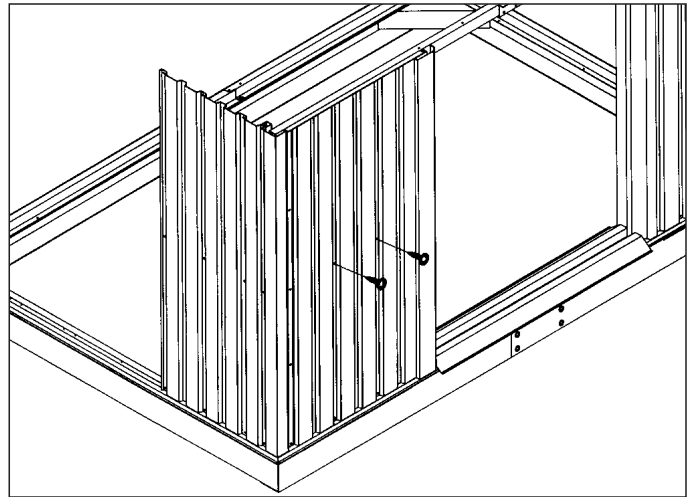
24. Fix the door column bottom to the fitting (DCBFP) with (S1) Screws.



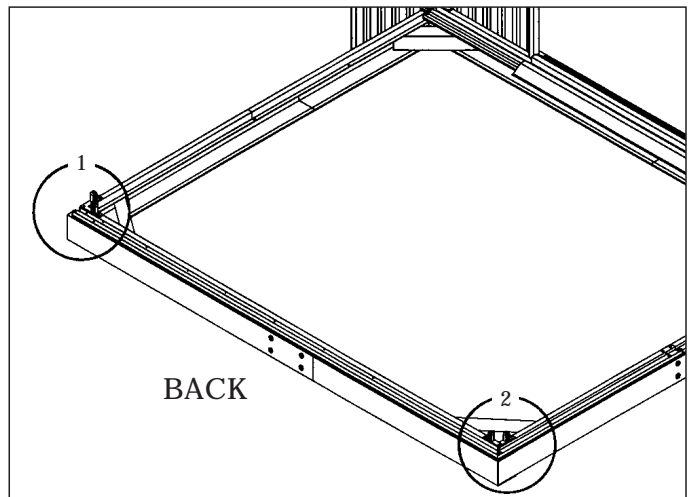
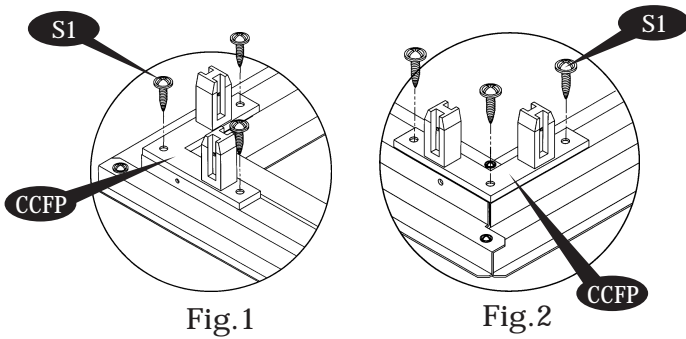
25. Fix the Column fitting (CFP) to the front Column (COSP) with (S1) screw from inside. Fix other end to the Door Column (DCLP) through the wall panel with (S1) screw from inside.



26. Secure the wall panel (WP1A) to the centre band (CB1P) with (S7) screws from outside.

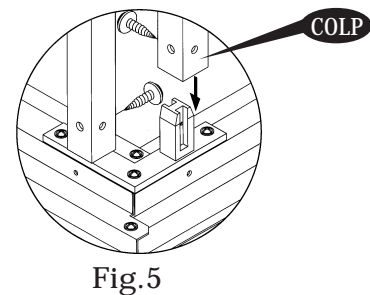
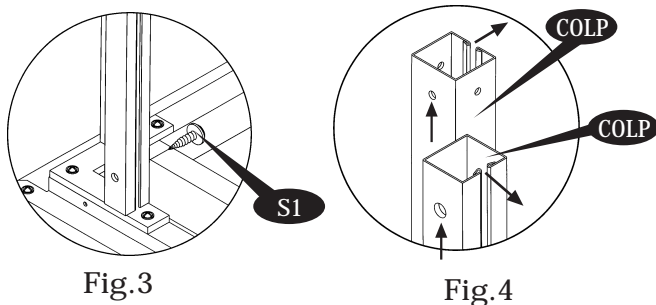
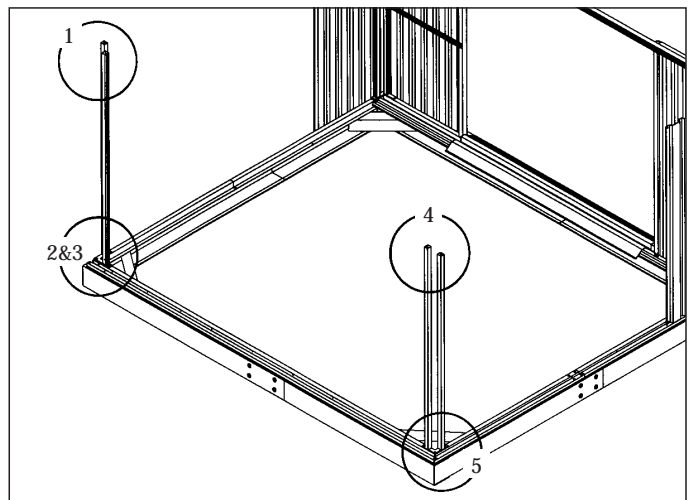
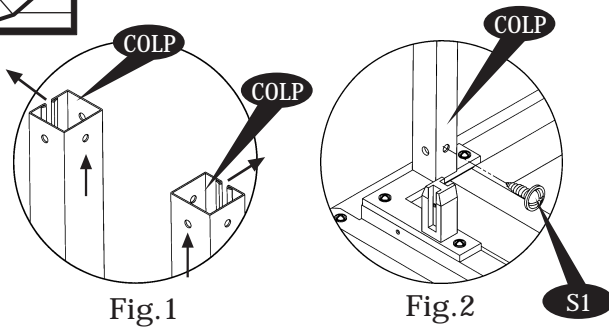


27. Place the Corner Column fitting (CCFP) on top of the base bar at the back side on both corners. Secure with (S1) screws.

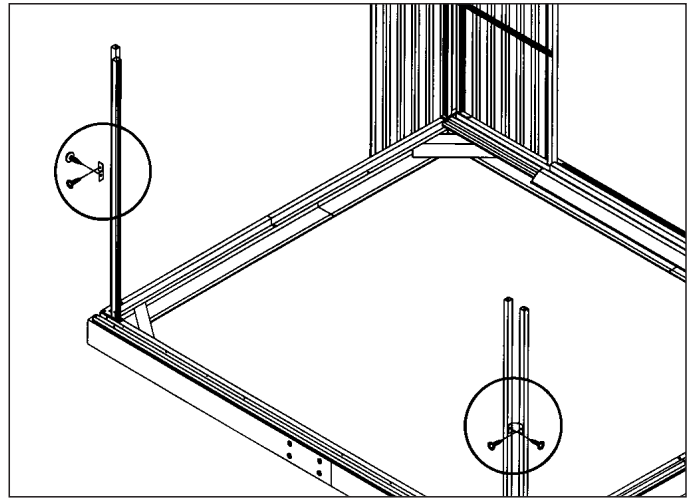
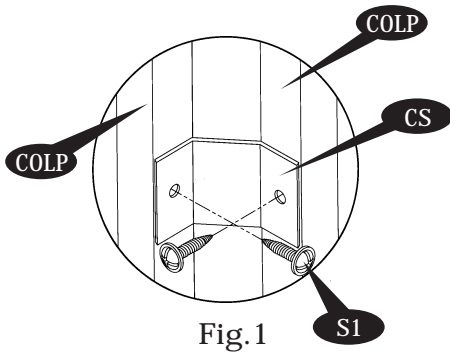


28. Insert the column (COLP) into the Corner Column fitting (CCFP) and secure with (S1) screws.

Note *Make sure the direction of the Column opening and arrow up as per blowup*



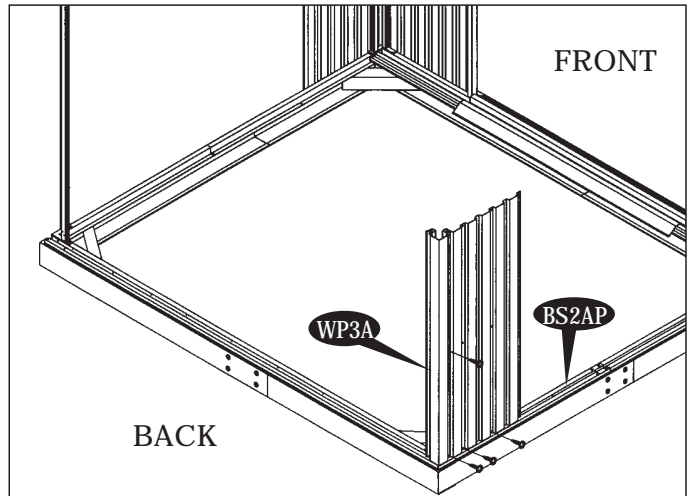
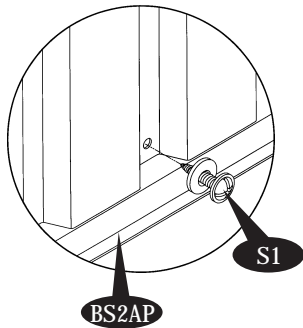
29. Fix the Column Support (CS) to the columns with two (S1) screws at both corners.



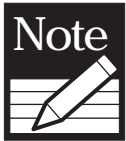
30 Place the wall panel (WP3A) on the base bar side (BS2AP) at back left. Line up the hole with base bar and secure with (S1) screws with washers from out side.



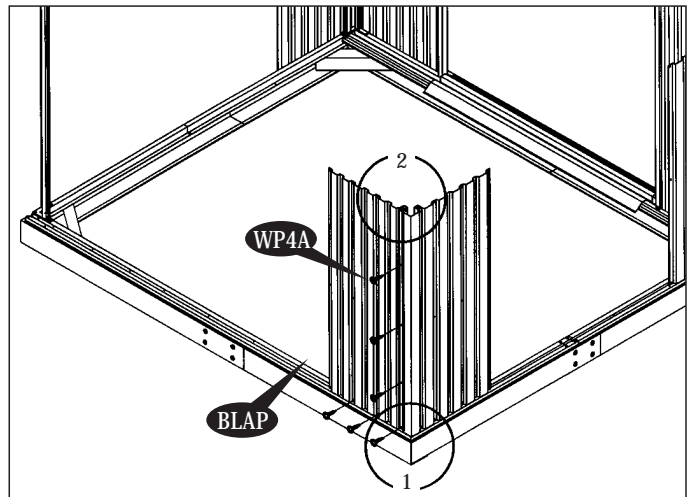
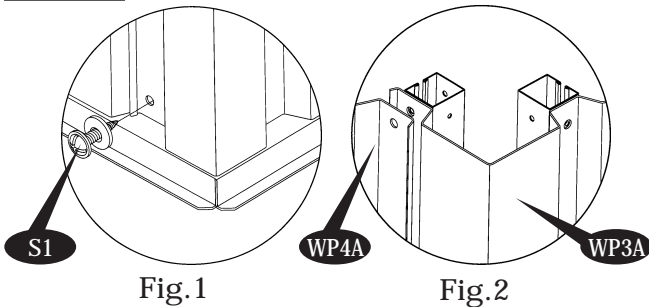
First fix the middle screws then go to the edges.



31. Place the wall panel (WP4A) on the base bar back left (BLAP). Line up the holes with base bar and secure with (S1) screws. See the blow up



Make sure the overlapping position of panels is as shown in fig. 2.



First fix the middle screws then go to the edges.

32. Place the wall panel (WP3A) on the base bar (BS1AP). Line up the holes with base bar and secure with (S1) screws with washer from out side.



First fix the middle screws then go to the edges.

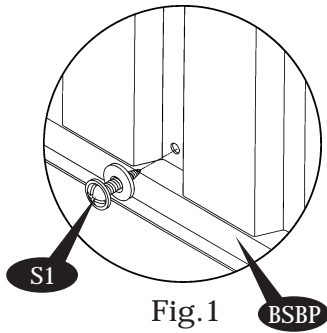
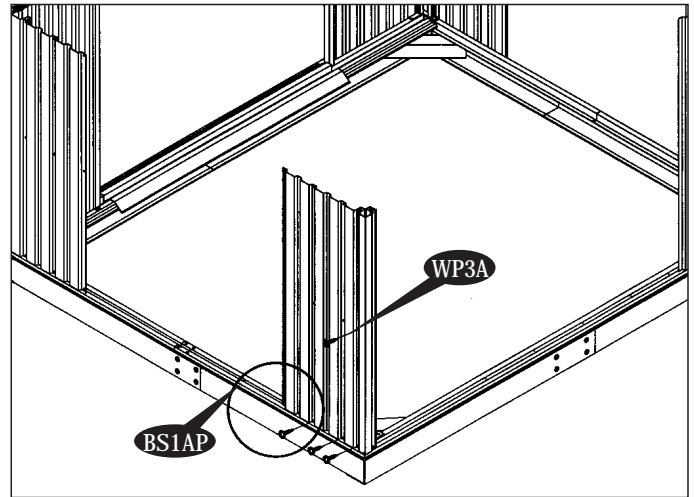
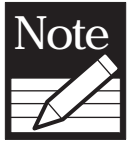


Fig.1



33. Place the wall panel (WP4A) on the base bar (BRAP). Line up the hole with base bar and secure with (S1) screw with washer from out side.



Make sure the overlapping position of panels is as shown in fig. 2.



First fix the middle screws (top or bottom) then go to the edges.

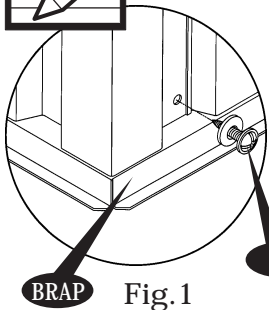


Fig.1

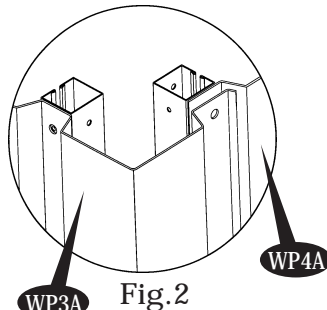
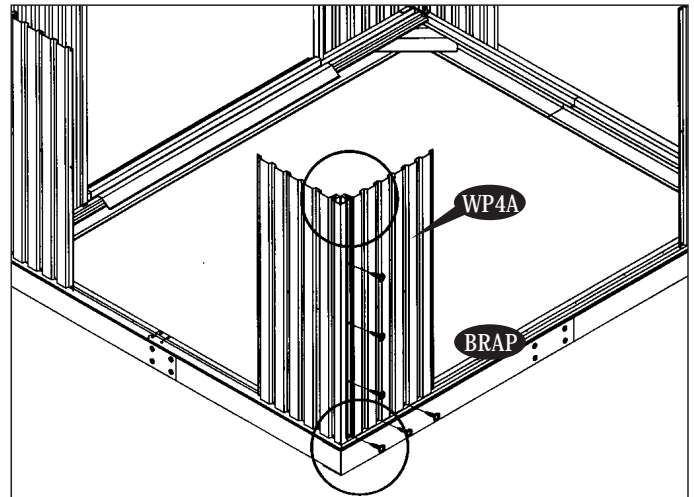
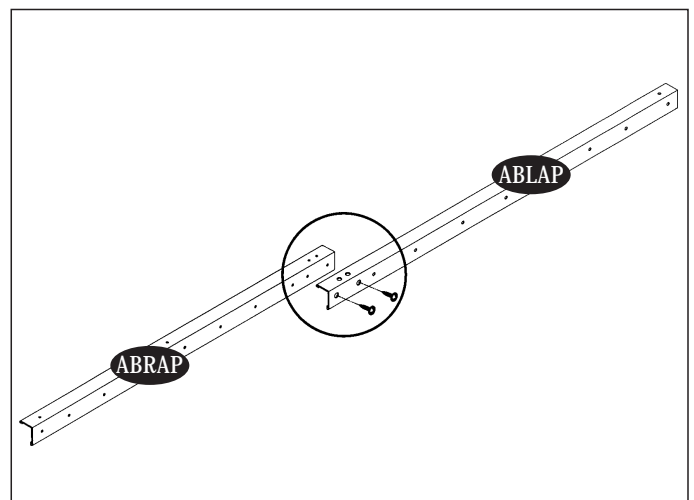
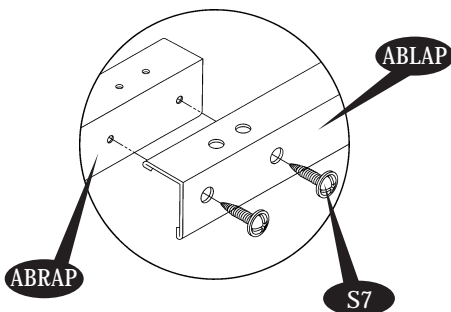


Fig.2



34. Assemble the top back angle left & right (ABLAP & ABRAP) together with (S7) screws. See the blow up



35. Place the assembled top angle back in between the column and back wall panel top side. Then insert the Ventilation Blocking Cover (VBCF) in between the top angle and the wall panel. Line up the holes with panel and secure with (S1) screws from outside.

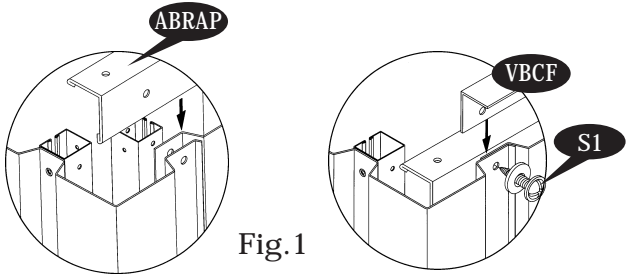


Fig.1

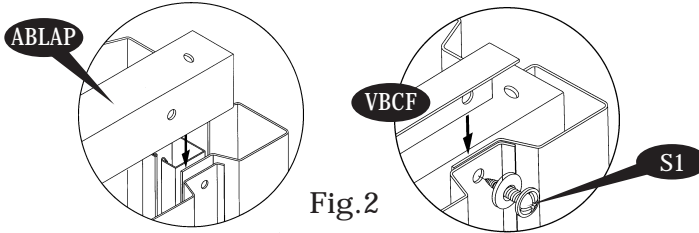
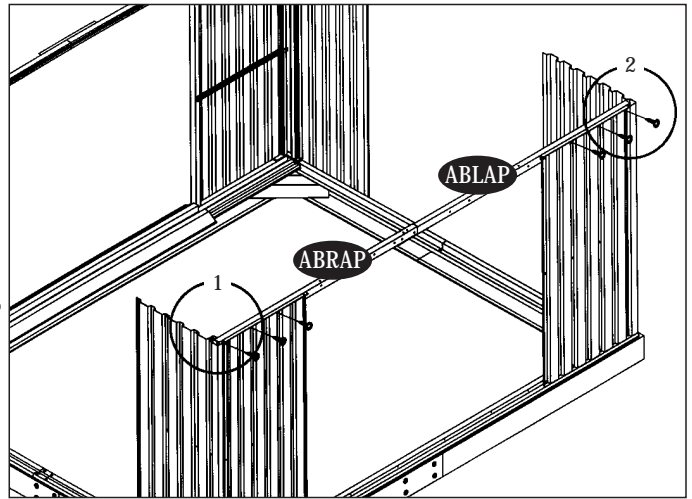
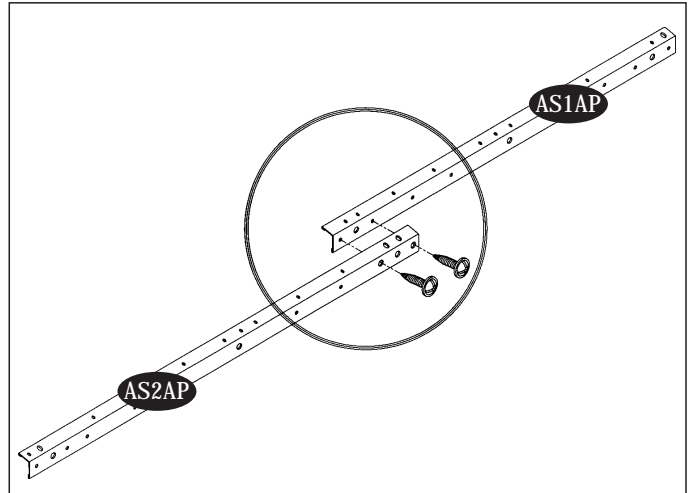
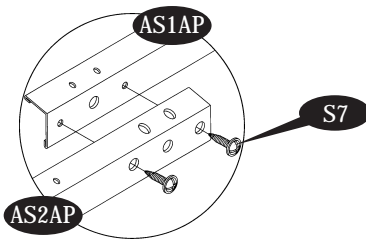


Fig.2



36. Assemble the top angle side front and back (AS1AP & AS2AP) together with (S7) screws. Make 2 Sets.



37. Place the top angle side assembly on top of back top angle (ABLAP) and top of sliding channel (SLAP). Secure with (S1) screws from top.

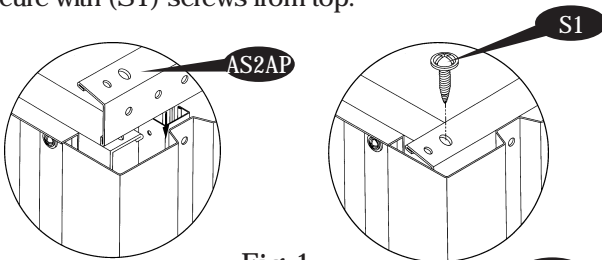


Fig.1

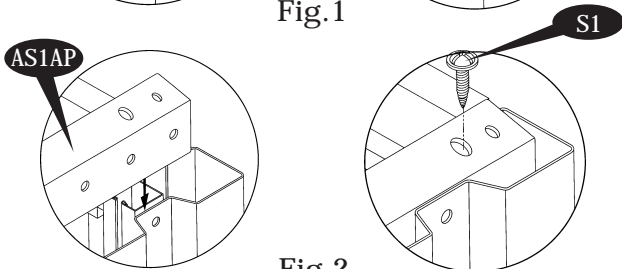
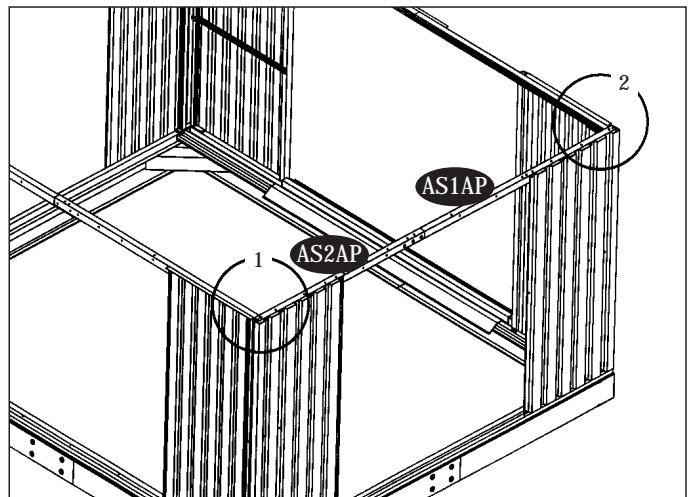
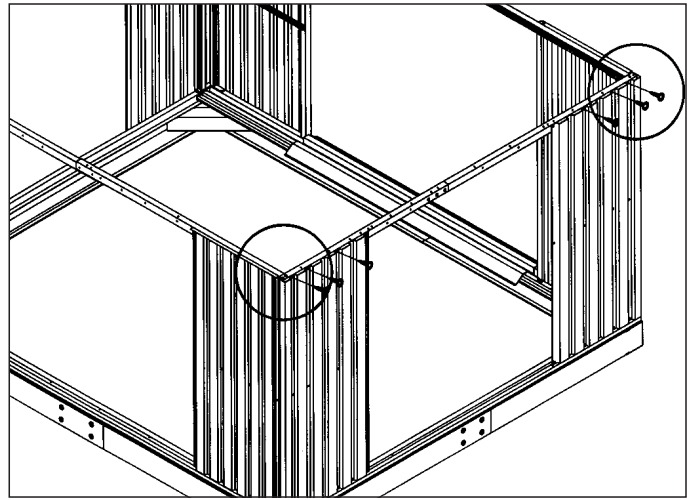
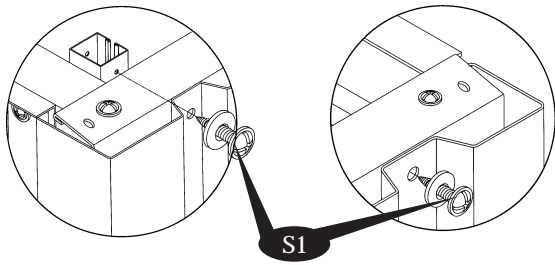


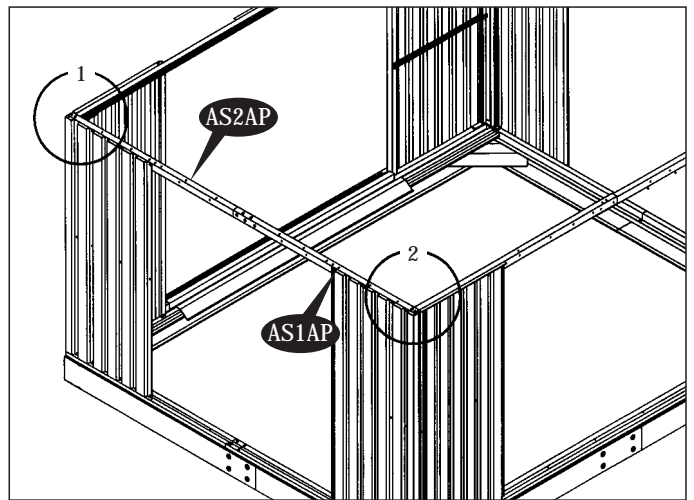
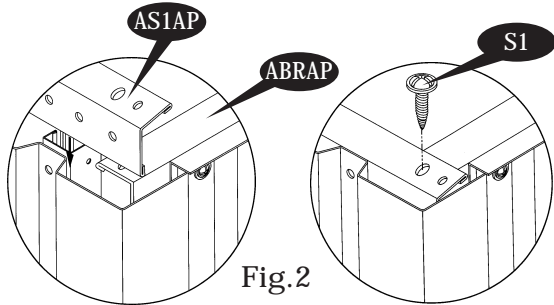
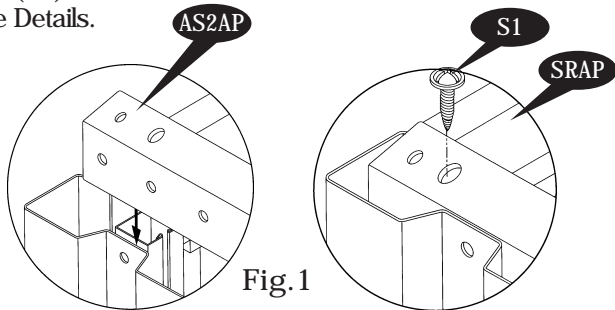
Fig.2



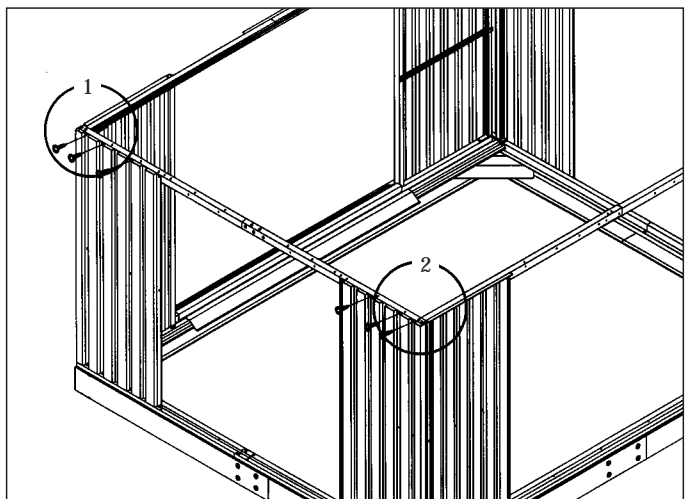
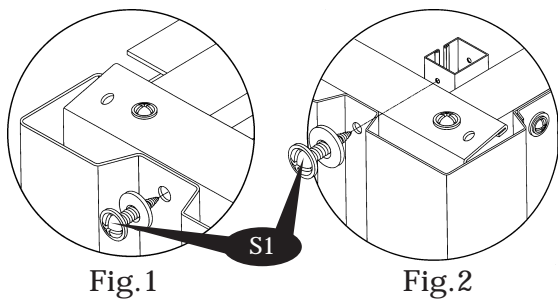
38. Secure the wall panel to the top angle with (S1) screws.



39. Place the top angle side assembly on top of sliding channel (SRAP) and back top angle (ABRAP) secure with (S1) screws. See Details.



40. Secure the Wall Panel to the top angle with (S1) screws.



41. Assemble the Column fitting (CFP) with all columns (COLP) with (S1) screw.

Note *Make sure the direction of arrow (Fig. 1) and opening of the Column (Fig. 2) as Shown*

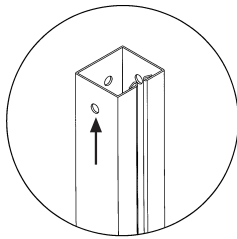


Fig.1

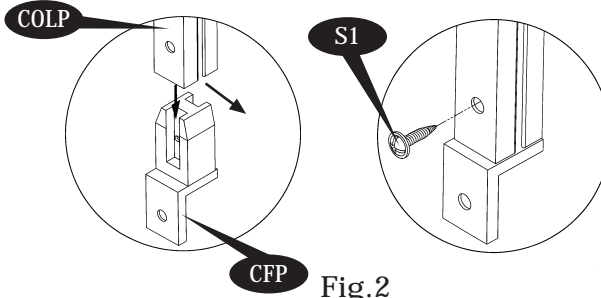
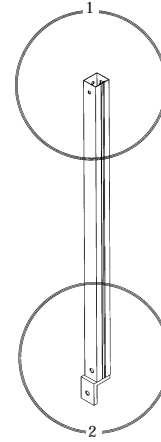


Fig.2



42. Fix one column fitting with columns to the base bar (BS1AP) with (S1) screws from inside.

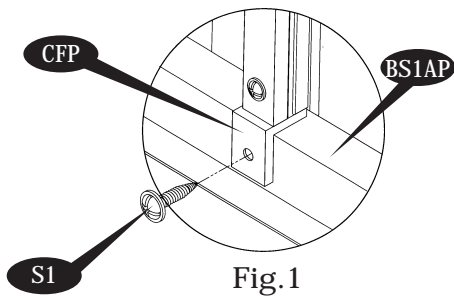
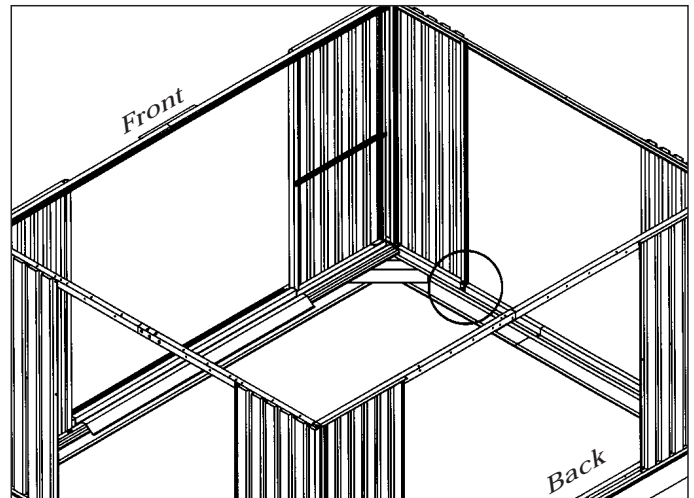


Fig.1



43. Place the Wall Panel (WP4A) on the base bar side (BS1AP). Line up the holes with base bar and top angle.

1. Secure the Panel at bottom with (S1) screws to the base bar from out side.

2. Secure the Panel at top with (S1) screw through the top angle to the Column (COLP)

Tip *First fix the middle screws (top or bottom) then go to the edges.*

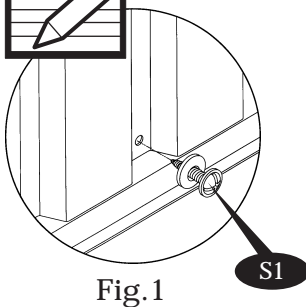


Fig.1

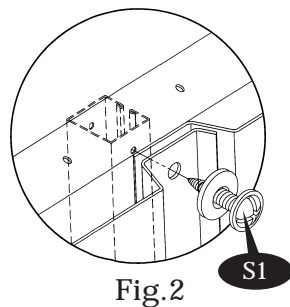
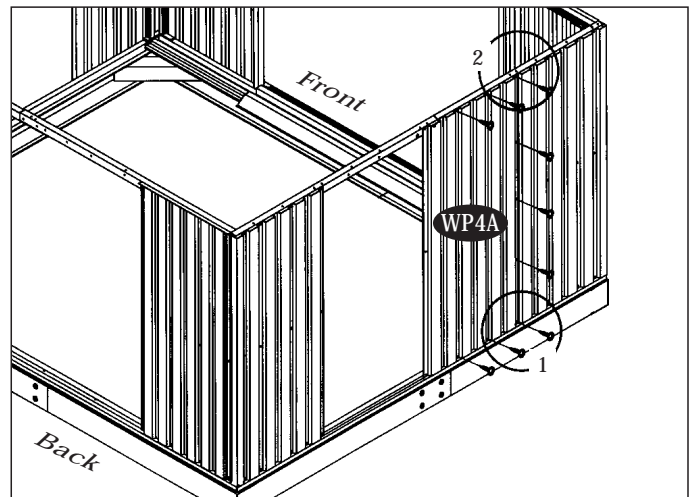
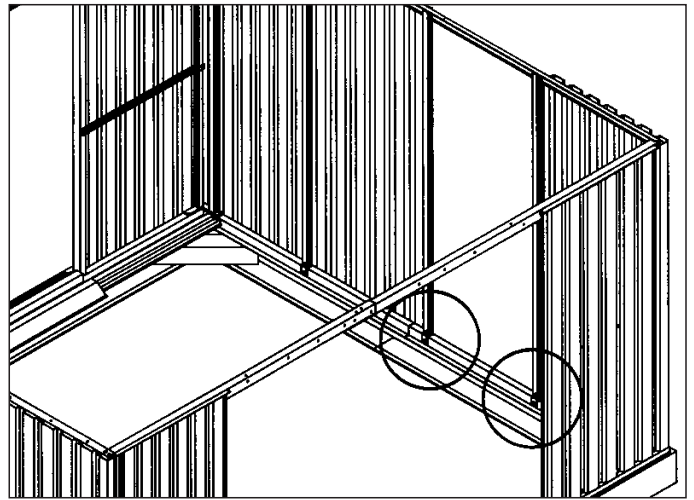
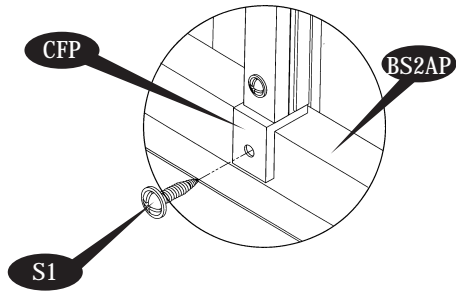


Fig.2



44. Fix two column fitting with column to the base bar (BS2AP) with (S1) screws from inside.



45. Place the Wall Panel (WP4A) on the base bar side (BS2AP). Line up the holes with base bar and top angle.

1. Secure the Panel at bottom with (S1) screws to the base bar from out side.

2. Secure the Panel at top with (S1) screw through the top angle to the Column (COLP)



First fix the middle screws (top or bottom) then go to the edges.

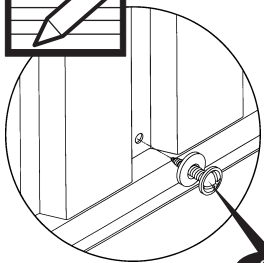


Fig.1

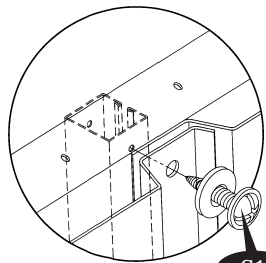
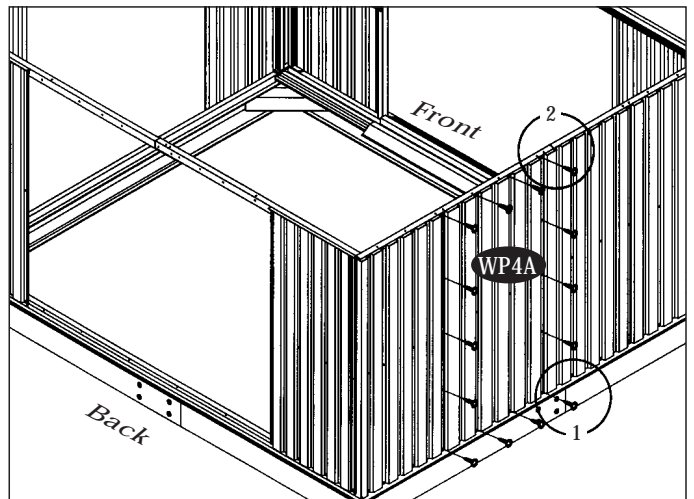
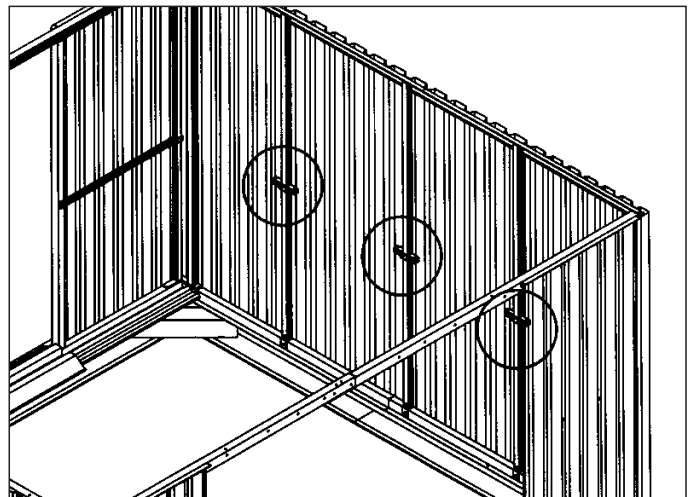
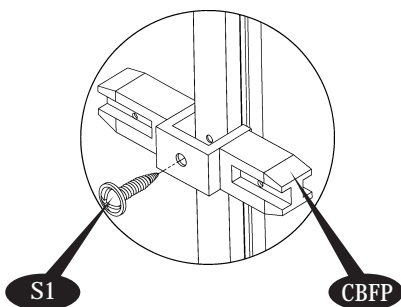


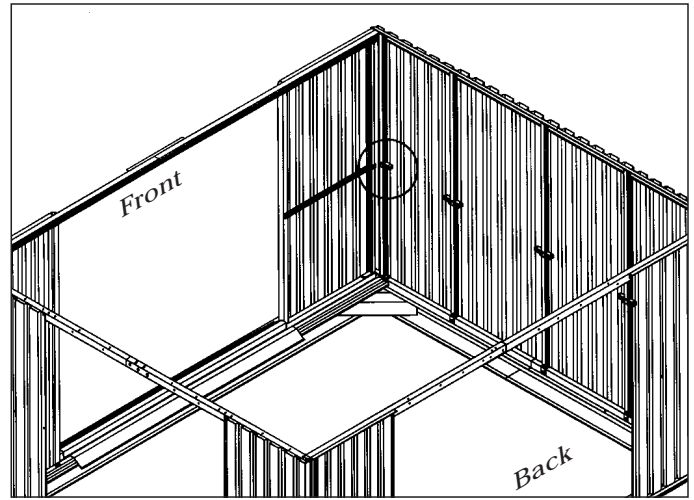
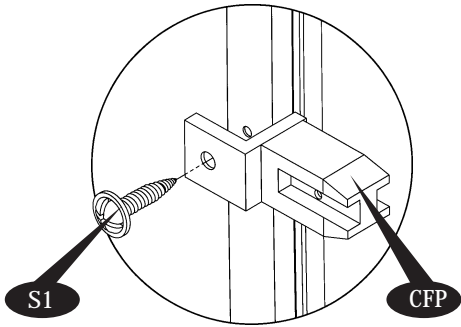
Fig.2



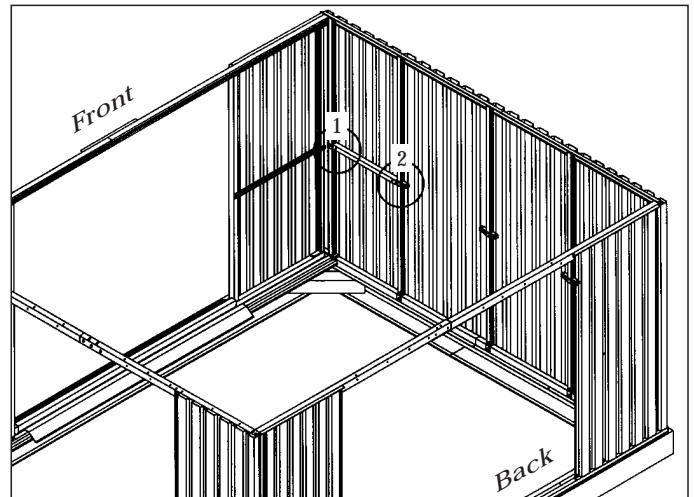
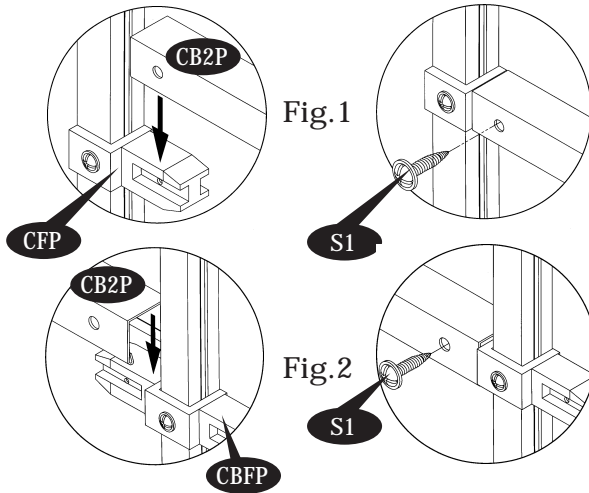
46. Fix the Center band fitting (CBFP) to the Column with (S1) screw.



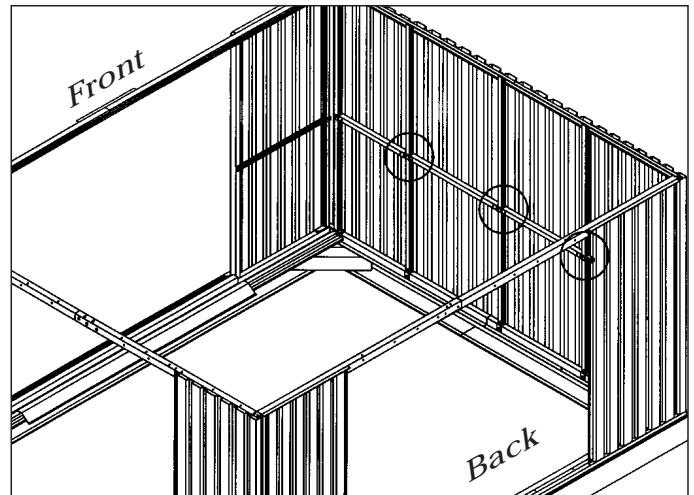
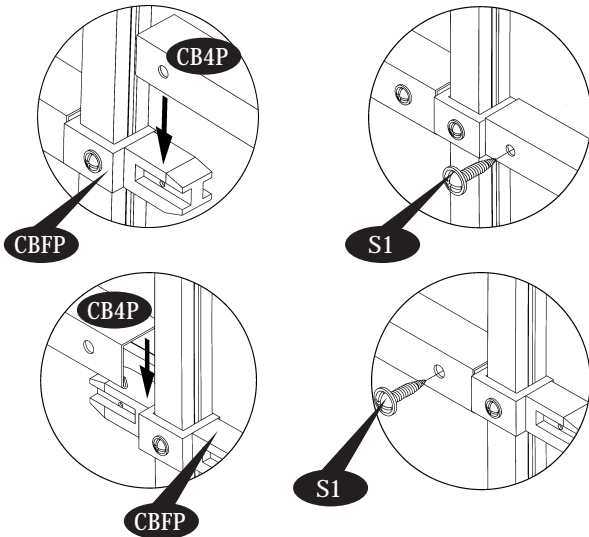
47. Fix the Column fitting (CFP) to the Column with (S1) screw as shown.



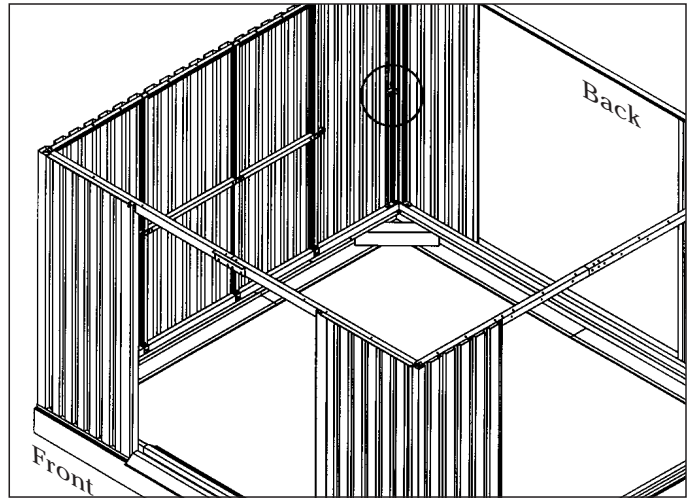
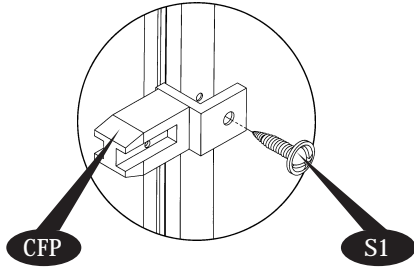
48. Fix the Center band (CB2P) to the Column fitting (CFP) with (S1) screw. See the Fig 1. Fix the other end of the Center band to the Center band fitting (CBFP) with (S1) screw. See the fig. 2



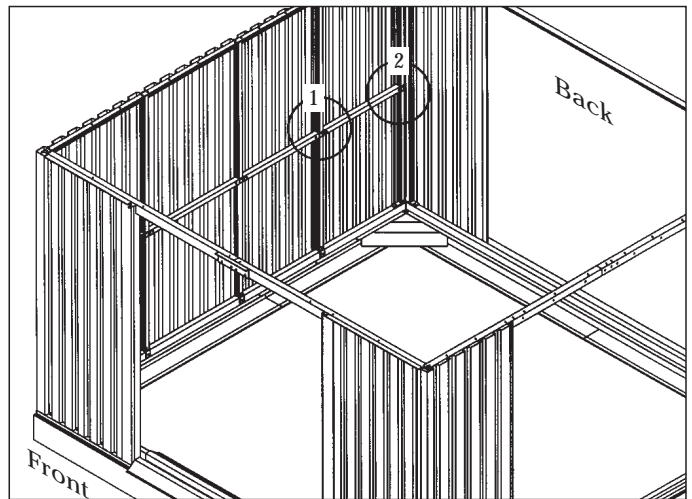
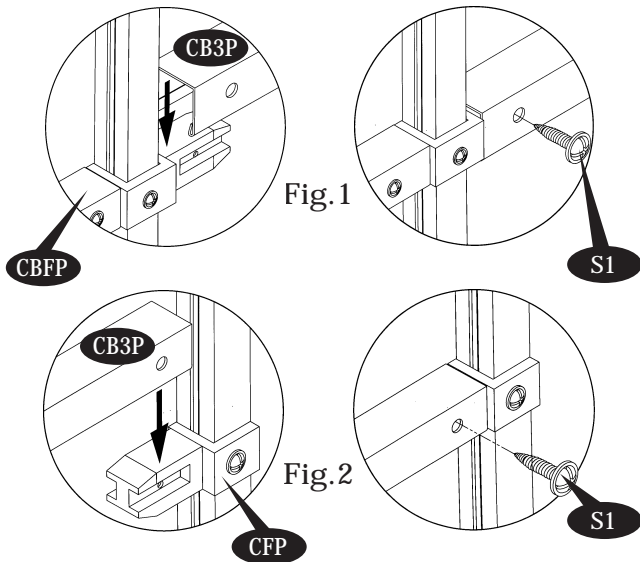
49. Fix the Center band (CB4P) to the Center band fitting with (S1) screws. See fig.



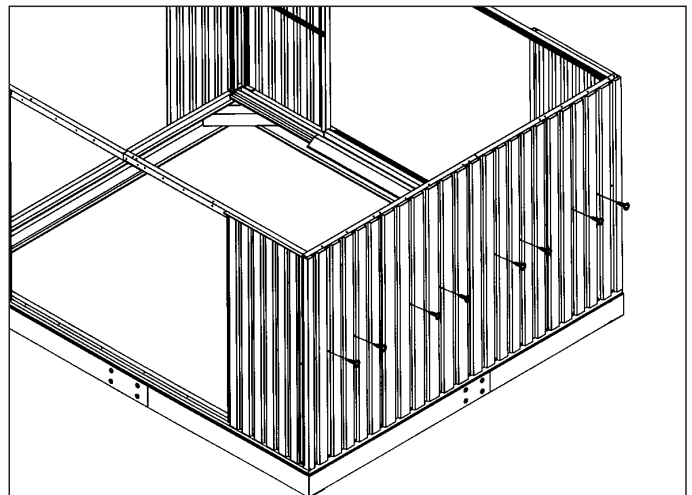
50. Fix the Column fitting (CFP) to the Column with (S1) screw as shown.



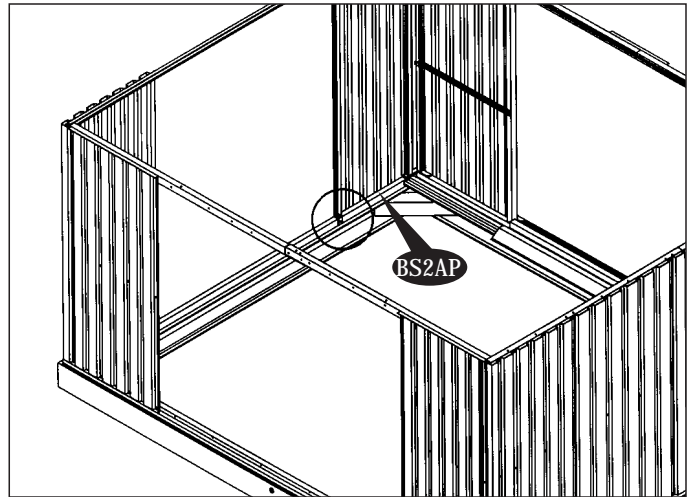
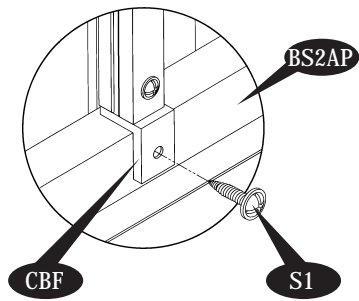
51. Fix the Center band (CB3P) to the Center band fitting (CBFP) with (S1) screw. See fig.1
Fix the other end to the Column fitting (CFP).



52. Secure the Panels to the Center bands with (S1) screws with washer from out side.



53. Fix one Column fittings (CBF) with Columns to the other side of base bar (BS2AP) with (S1) screws from inside.

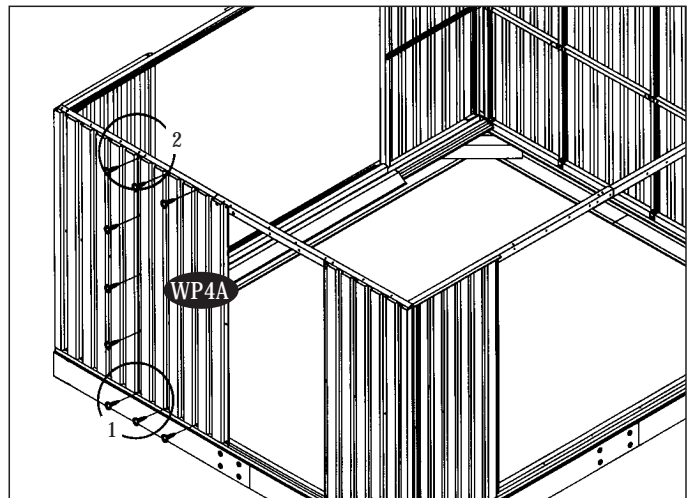
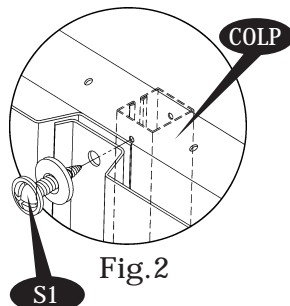
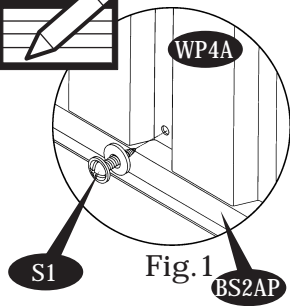


54. Place the Wall Panel (WP4A) on the base bar side (BS2AP) Line up the holes with base bar and top angle.

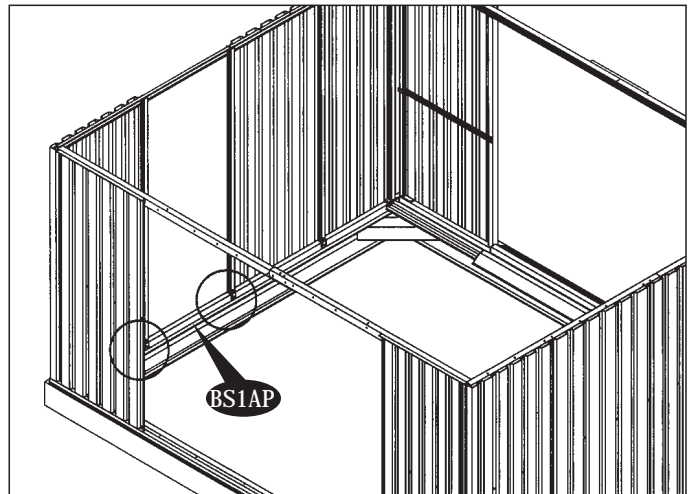
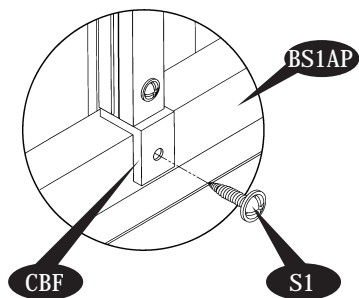
1. Secure the Panel at bottom with (S1) screws to the base bar from out side.
2. Secure the Panel at top with (S1) Screw through the top angle to the Column (COLP).



First fix the middle screws (top or bottom) then go to the edges.



55. Fix one Column fittings (CBF) with Columns to the other side of base bar (BS1AP) with (S1) screws from inside.



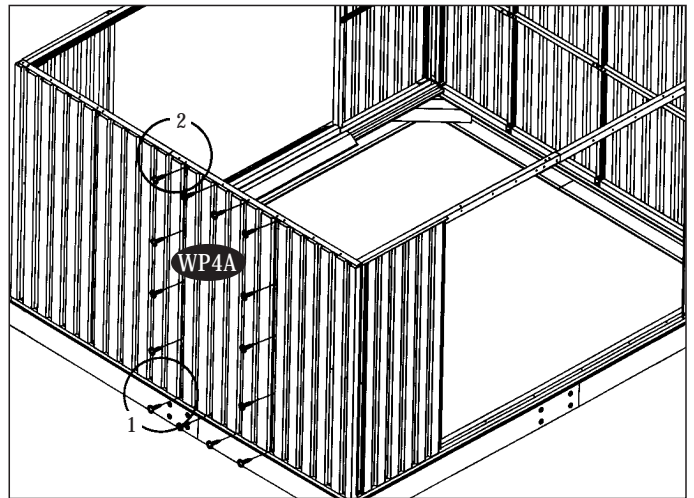
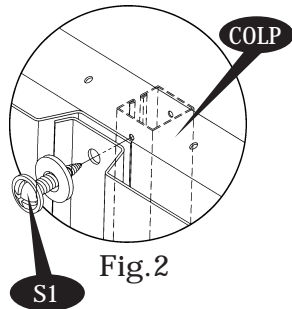
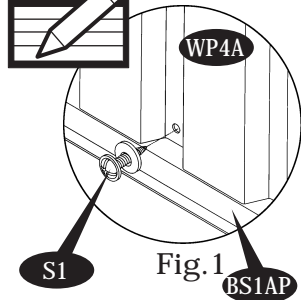
56. Place the Wall Panel (WP4A) on the base bar side (BS1AP) Line up the holes with base bar and top angle.

1. Secure the Panel at bottom with (S1) screws to the base bar from outside.

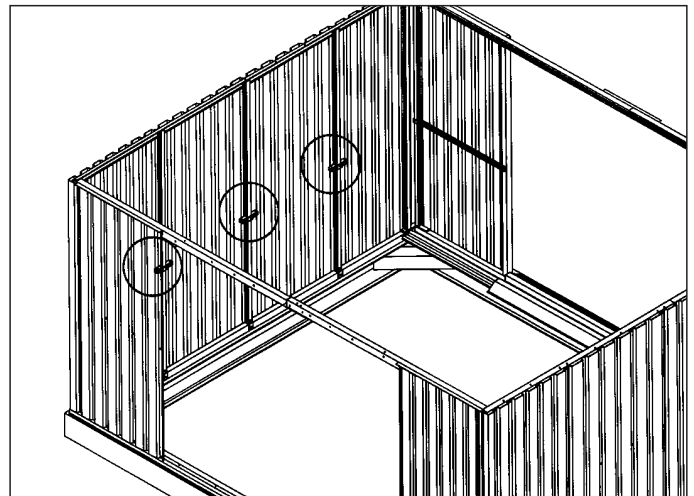
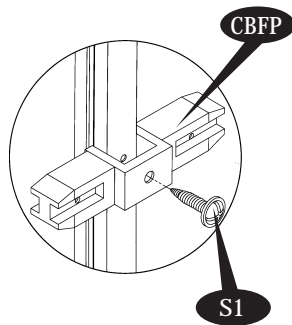
2. Secure the Panel at top with (S1) Screw through the top angle to the Column (COLP).



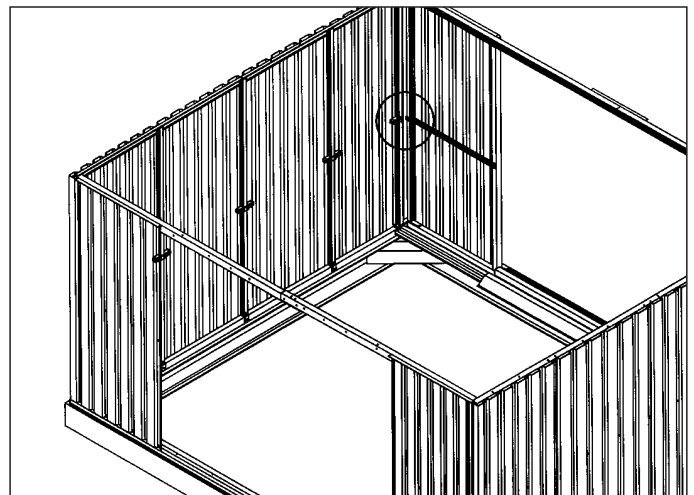
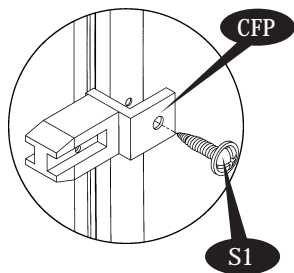
First fix the middle screws (top or bottom) then go to the edges.



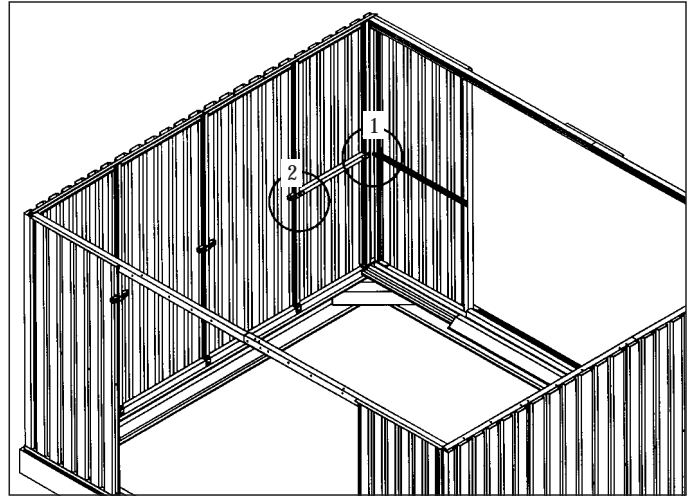
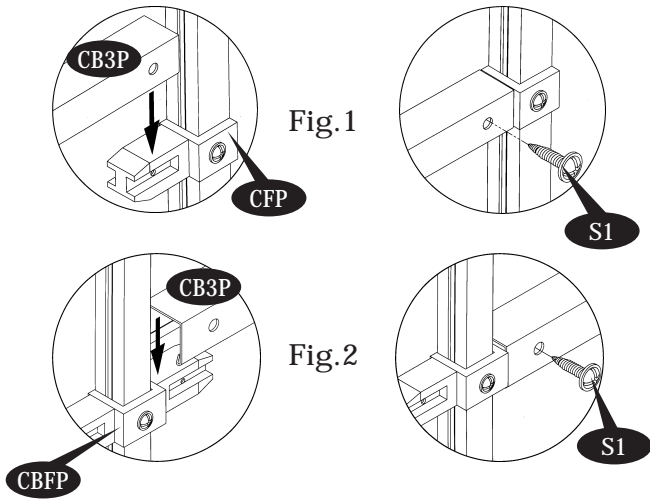
57. Fix the Center band fitting (CBFP) to the Column with (S1) screws. See Fig.



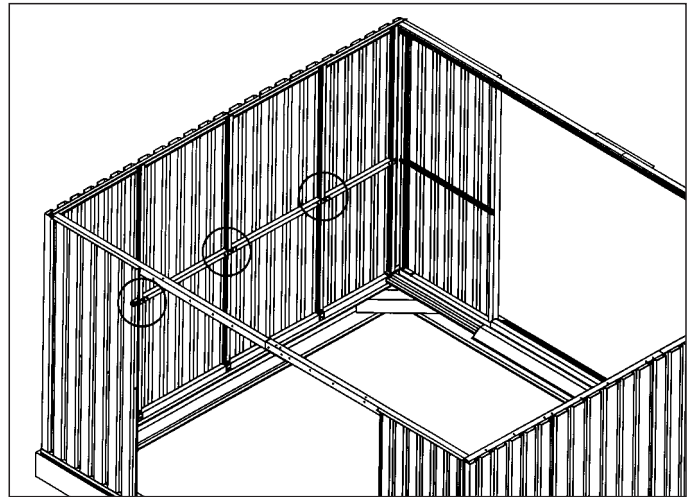
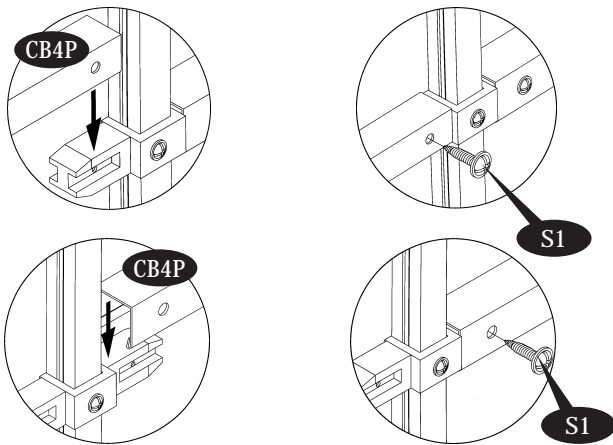
58. Fix the Center band fitting (CFP) to the Column with (S1) screws. See Fig.



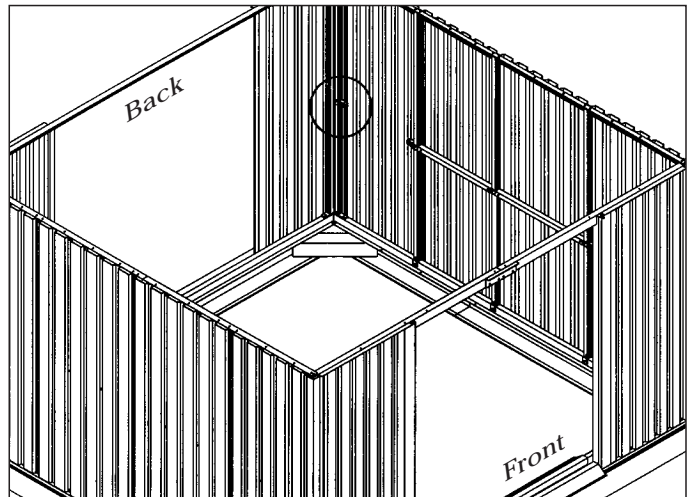
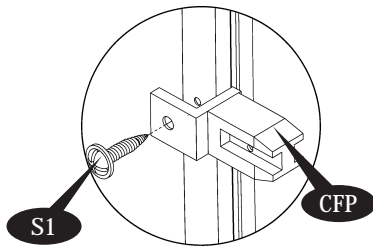
59. Fix the Center Band (CB3P) to the Column fitting with (S1) Screws. See Fig. 1
 Fix the other end to the center band fitting (CBFP) with (S1) screw. See Fig. 2



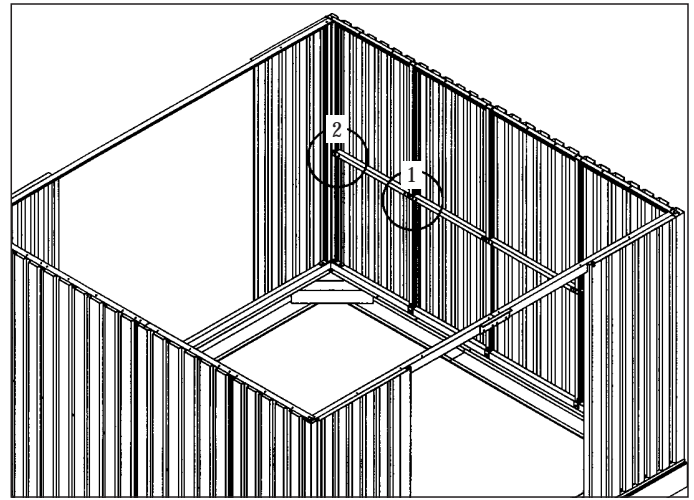
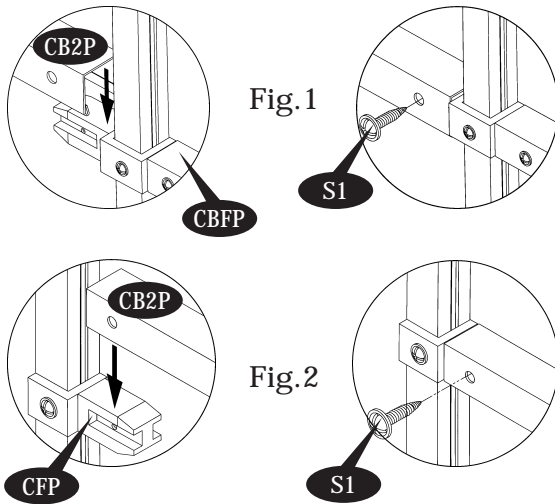
60. Fix the Center Band (CB4P) to the Center Band fitting with (S1) screws. See Fig.



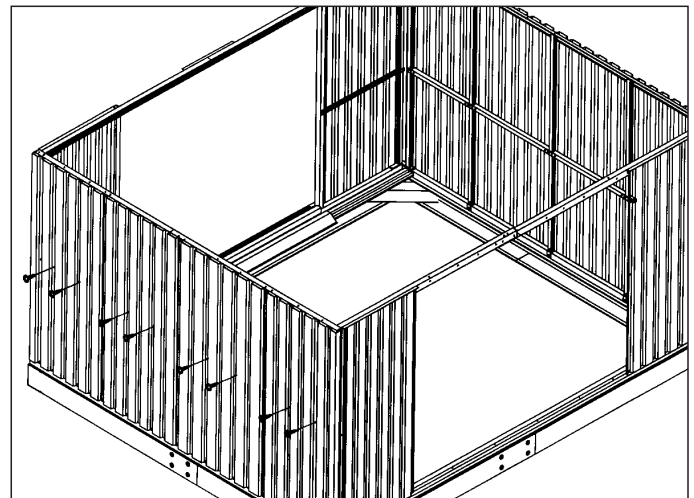
61. Fix the Column fitting (CFP) to the Column with (S1) screws as shown in blow up.



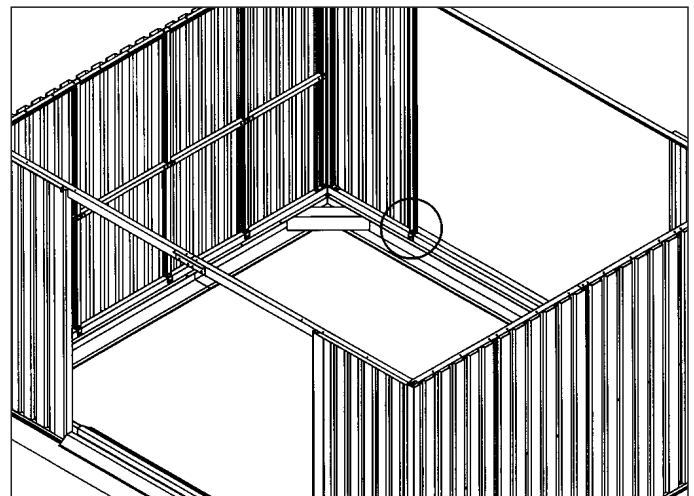
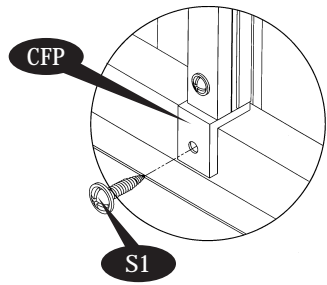
62 Fix the Center Band (CB2P) to the Center Band fitting (CBFP) with (S1) screw . See fig. 1
 Fix to other end to the Column fitting (CFP) See fig. 2



63. Secure Panel to the Center Bands with (S1) screws with washer from out side.



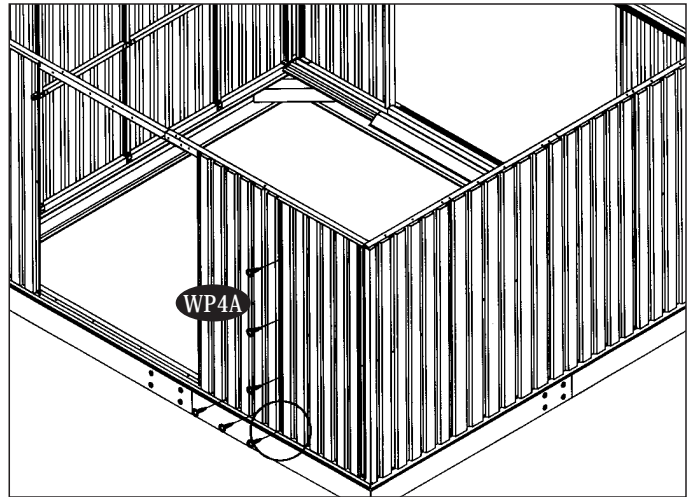
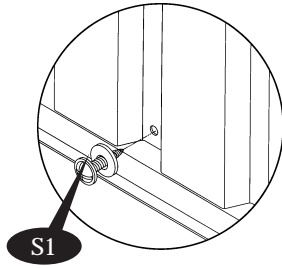
64. Fix the Column fitting with Column to the back base bar with (S1) screws from inside.



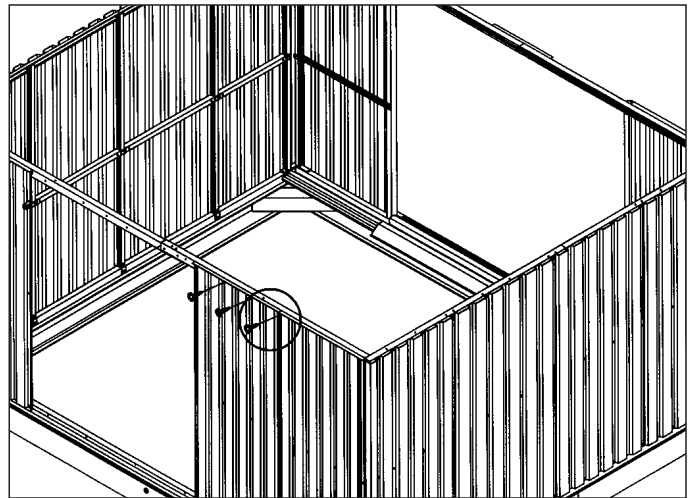
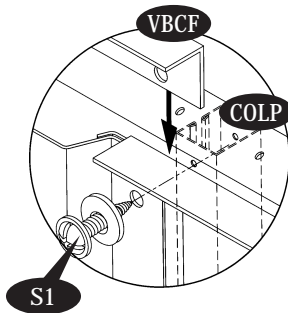
65. Place the Wall Panel (WP4A) on the back base bar. Line up the holes with base bar. Secure the Panel at bottom with (S1) screws to the base bar from out side.



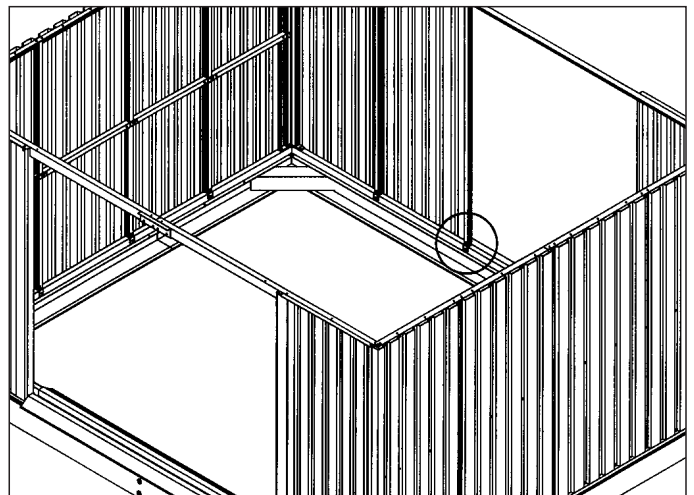
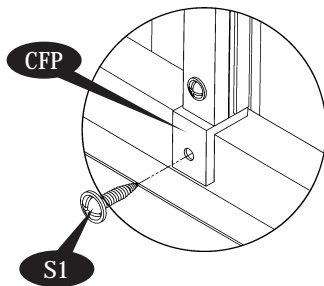
First fix the middle screws then go to the edges.



66. Insert the Ventilation Blocking Cover (VBCF) in between the top angle and the wall panel. Line up the holes with the top angle & secure with (S1) screws.



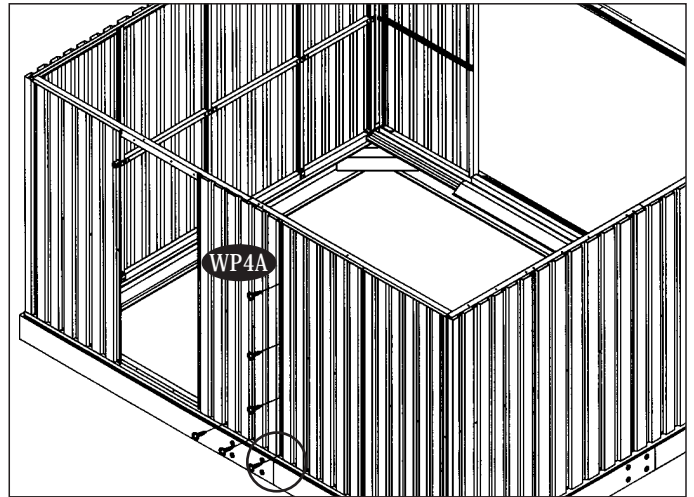
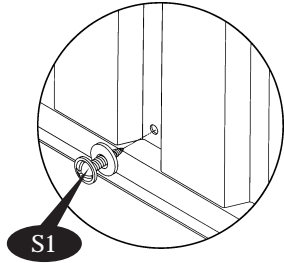
67. Fix the Column fitting with Column to the back base bar with (S1) screws.



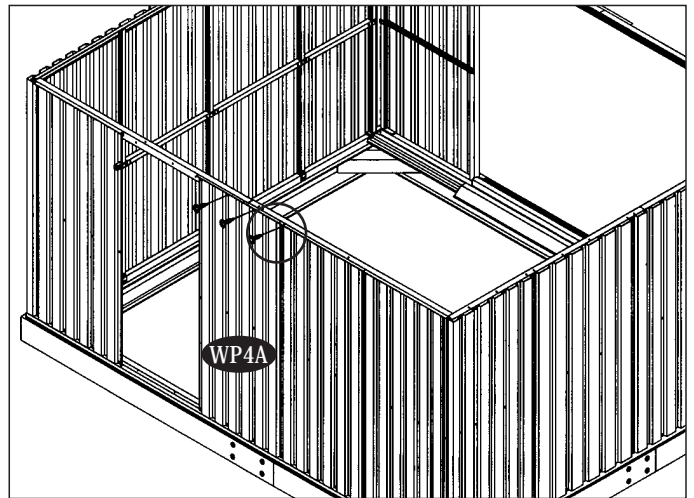
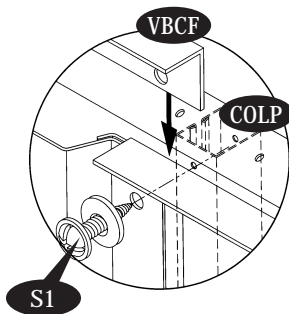
68. Place the Wall Panel (WP4A) on the base bar back. Line up the holes with base bar and top angle. Secure the Panel at bottom with (S1) screws to the base bar from outside.



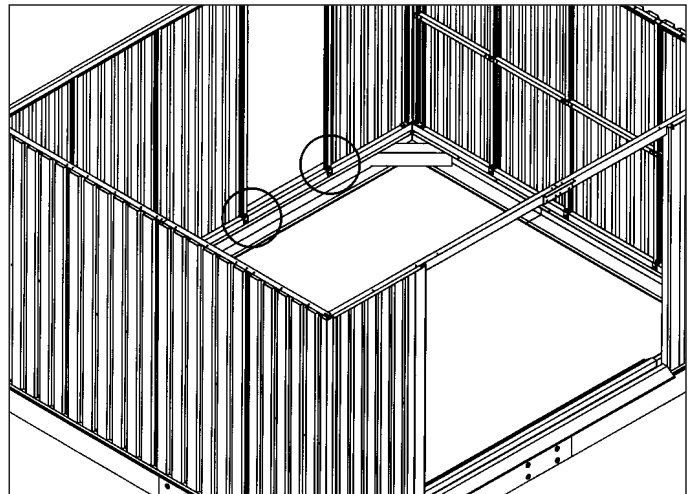
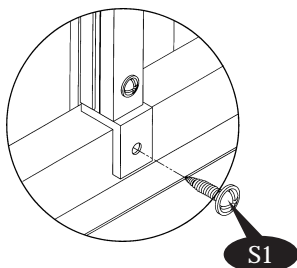
First fix the middle screws then go to the edges.



69. Insert the Ventilation Blocking Cover (VBCF) in between the top angle and the wall panel. Line up the holes with the top angle & secure with (S1) screws.



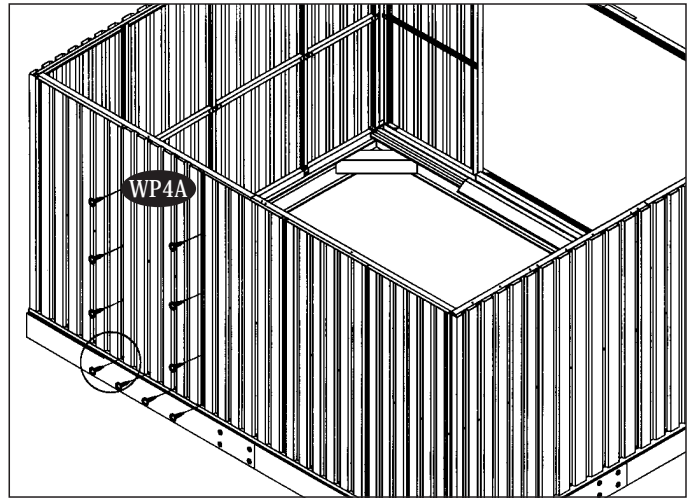
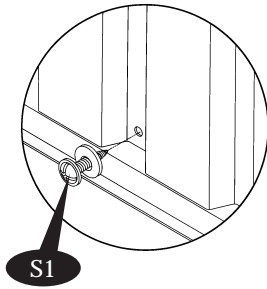
70. Fix two Column fittings (CBF) with Columns to the back base bar with (S1) screws from inside.



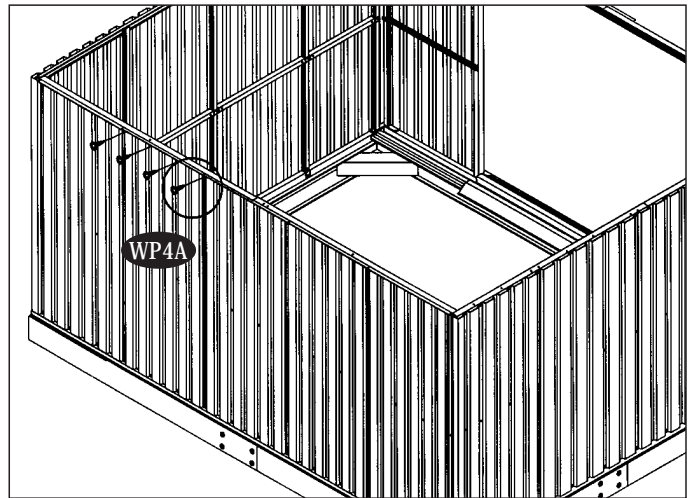
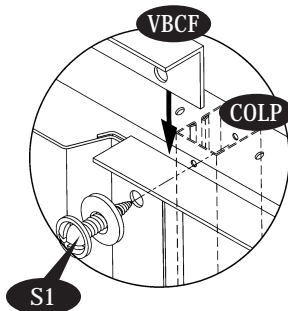
71. Place the Wall Panel (WP4A) on the base bar back. Line up the holes with base bar and top angle. Secure the Panel at bottom with (S1) screws to the base bar from out side.



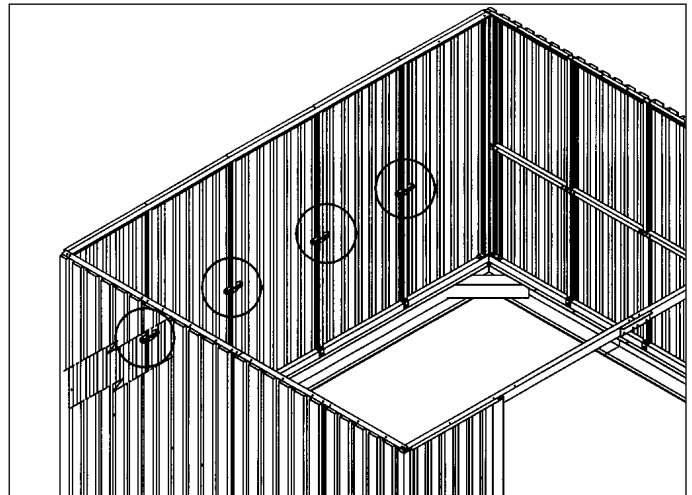
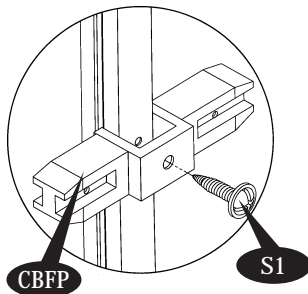
First fix the middle screws then go to the edges.



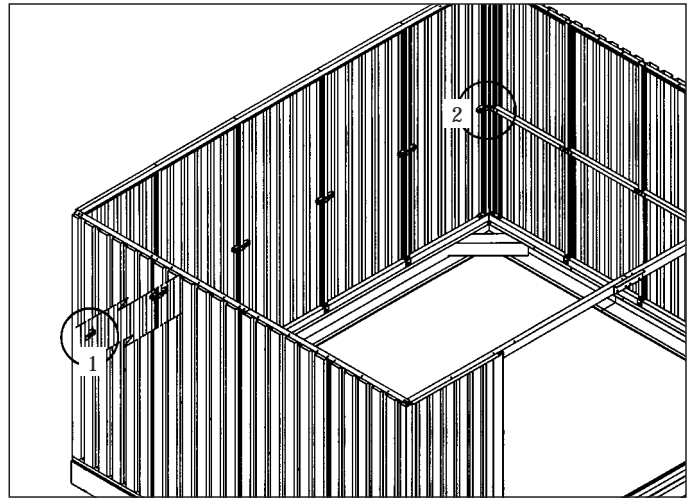
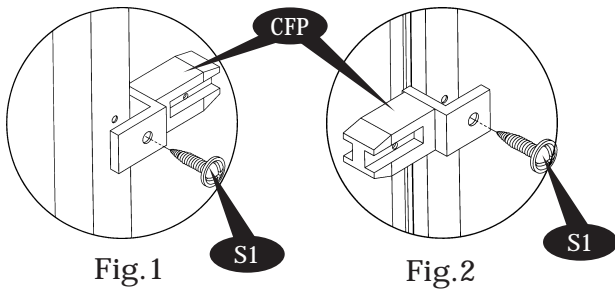
72. Insert the Ventilation Blocking Cover (VBCF) in between the top angle and the wall panel. Line up the holes with the top angle & secure with (S1) screws.



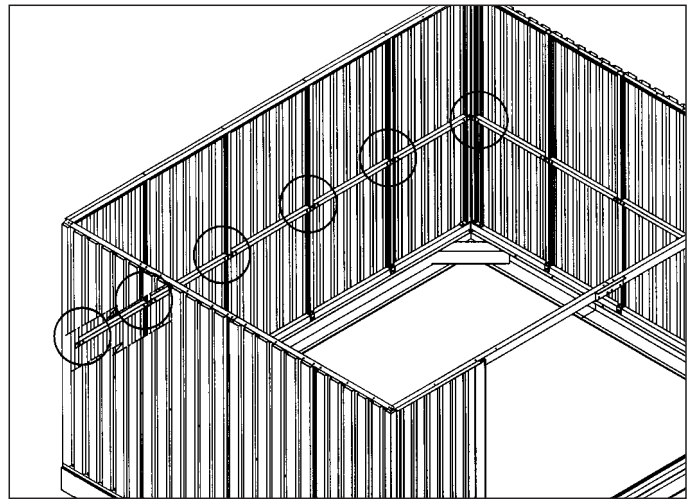
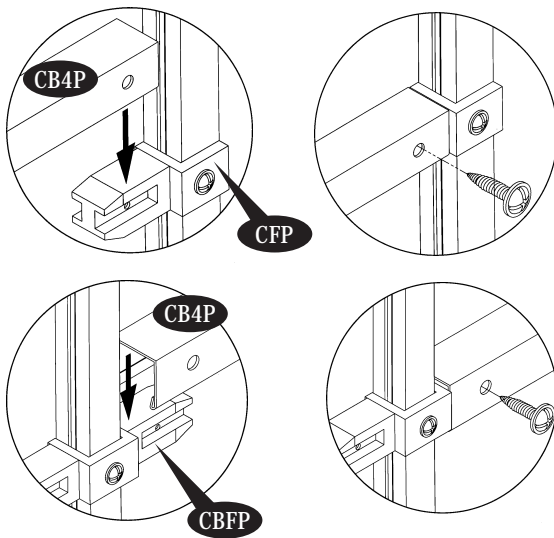
73. Fix the Center band fitting (CBFP) on the Columns with (S1) screw.



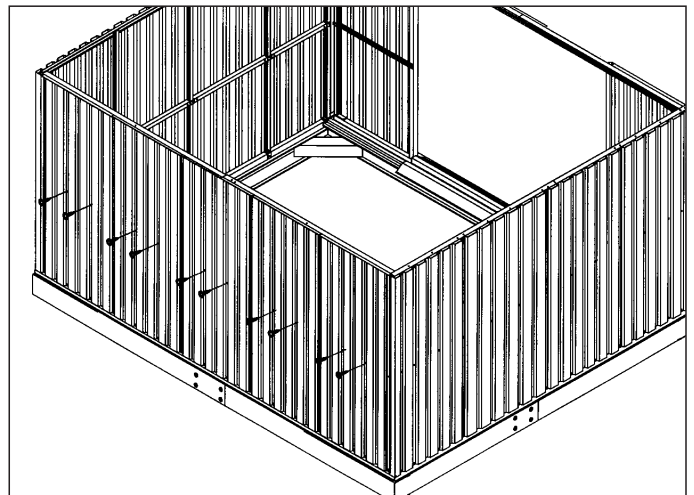
74. Fix the Column fittings (CFP) to the Column as shown.



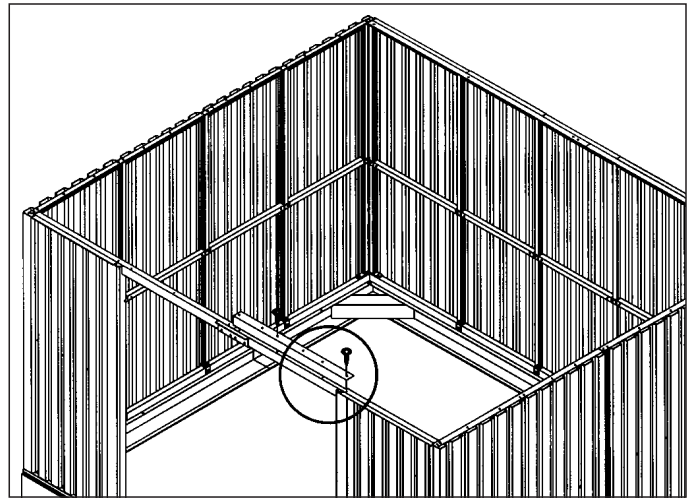
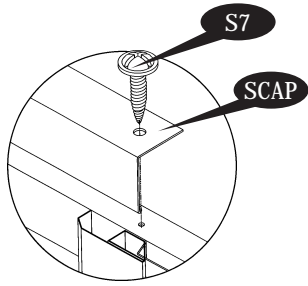
75. Fix the Center Band (CB4P) with (S1) screws to the Center Band fitting and column fitting.



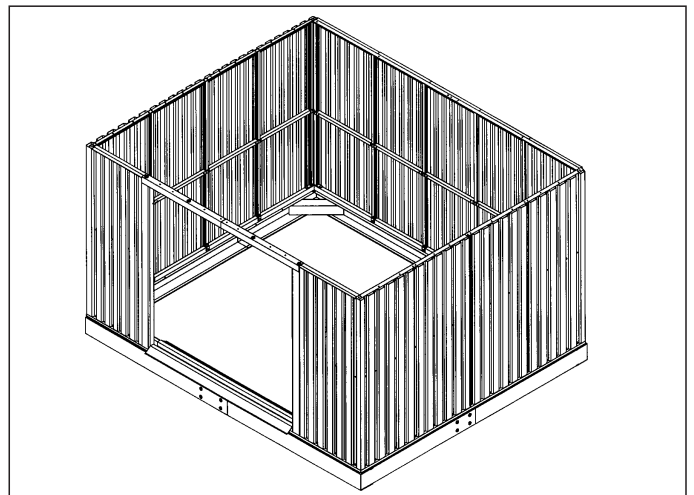
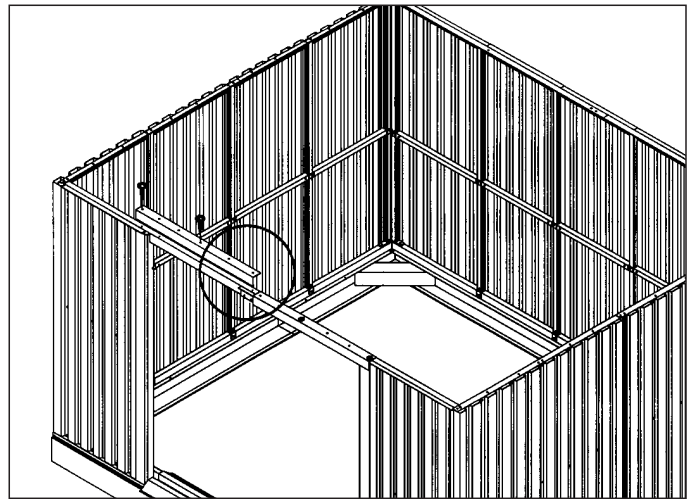
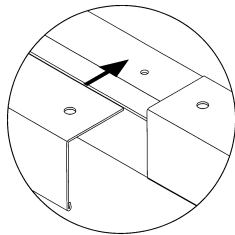
76. Secure the Panels to the Center bands with (S1) screws with washer from out side.



77. Place the sliding channel cover (SCAP) on sliding channel and secure with (S7) screws at both ends.



78. Place the another half of sliding channel cover (SCAP) on sliding channel and secure with (S7) screws at both ends.



C. Roof



Note

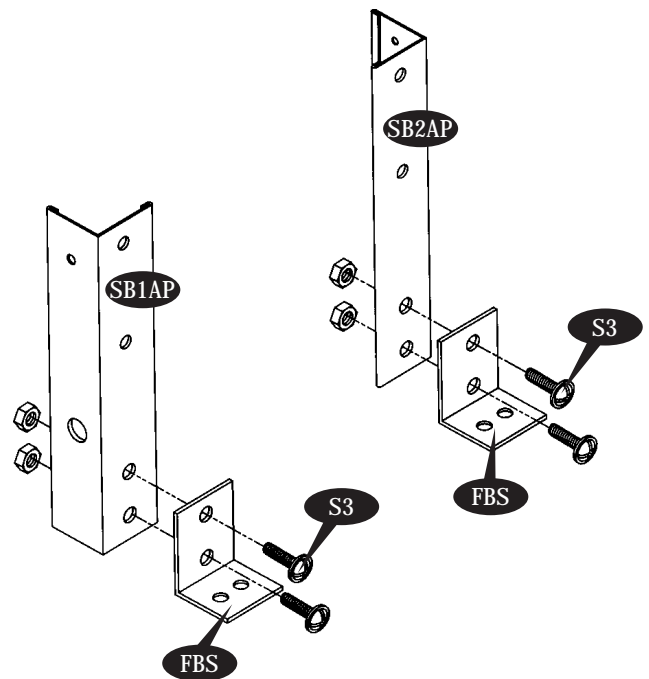


All parts are clearly marked and care should be taken to use the correct one.

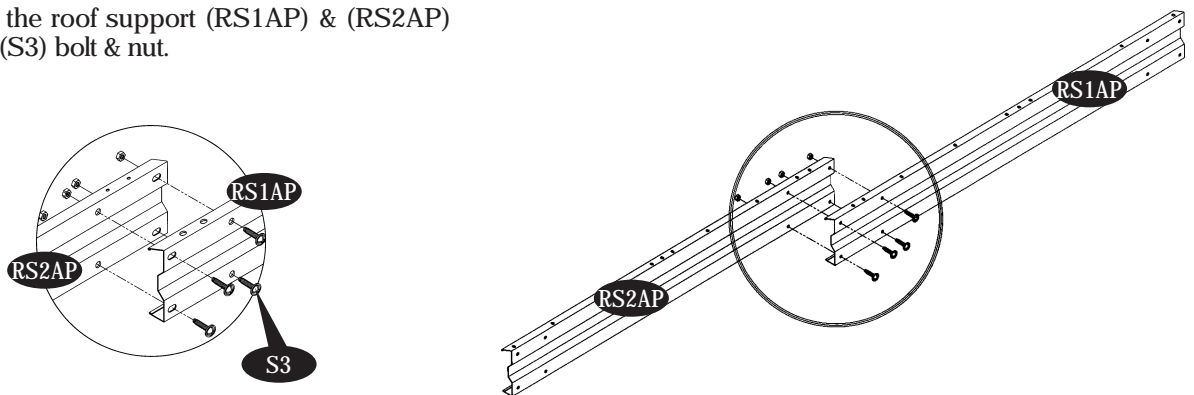
Parts Needed:

(2) Support bracket front right / back left	(SB1AP)	(2) Roof flashing	(RF2AP)
(2) Support bracket front left / back right	(SB2AP)	(4) Roof flashing	(RFSAP)
(2) Support bracket long - front right / back left	(SB3AP)	(2) Facia panel left	(FLAP)
(2) Support bracket long - front left / back right	(SB4AP)	(2) Facia panel right	(FRAP)
(8) Facia bracket support	(FBS)	(4) Top corner	(TC)
(2) Facia support left	(FSLAP)	(2) Ridge end cap	(FC)
(2) Facia support right	(FSRAP)	(134) Plastic washer	(PW)
(4) Roof support	(RS1AP)	(54) Roof plug with washer	(PPG)
(4) Roof support	(RS2AP)	(54) Roof pin	(PIN)
(6) Roof structure	(RS4AP)	(6) Ventilation Blocking Cover Side-1	(VBCS1)
(2) Roof panel	(RP1AP)	(2) Ventilation Blocking Cover Side-2	(VBCS2)
(1) Roof panel	(RP2AP)	(174) Sheet metal screw	(S1)
(2) Roof panel	(RP3AP)	(66) Machine screw with nut	(S3)
(2) Roof panel	(RP4AP)		
(1) Roof panel	(RP2AG)		
(1) Roof panel window	(RPWG)		
(1) Ridge cover	(RC1P)		
(3) Ridge cover	(RC2P)		
(2) Roof flashing	(RF1AP)		

1. Assemble the support bracket (SB1AP & SB2AP) with Facia bracket support. Use (S3) bolt & nut. Make 2 Sets



2. Assemble the roof support (RS1AP) & (RS2AP) together with (S3) bolt & nut. Make 2 Sets



3. Assemble the roof support bracket with Roof support assembly at both ends as shown. Use (S3) bolt & nut. Make 2 Sets

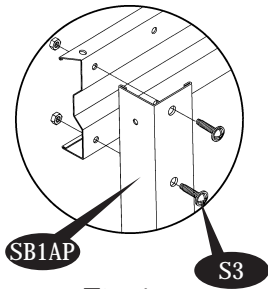


Fig. 1

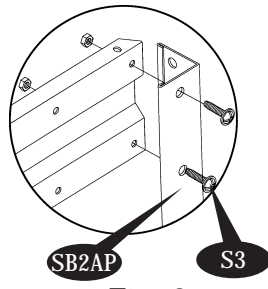
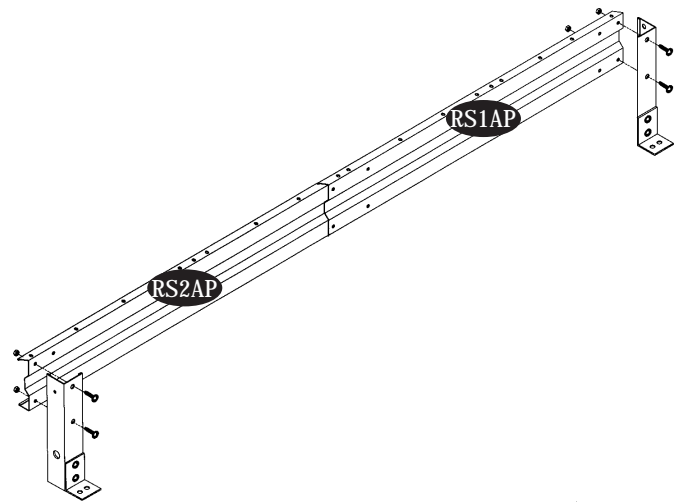


Fig. 2



4. Place the Roof support assembly on top of sliding channel and back top angle. Use (S1) screws to secure. Make 2 Sets.

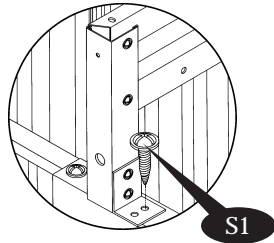


Fig. 1

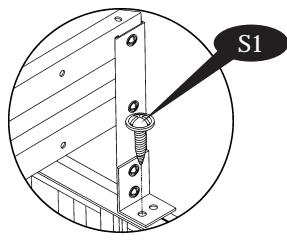


Fig. 2

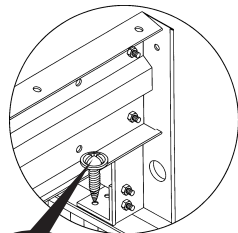
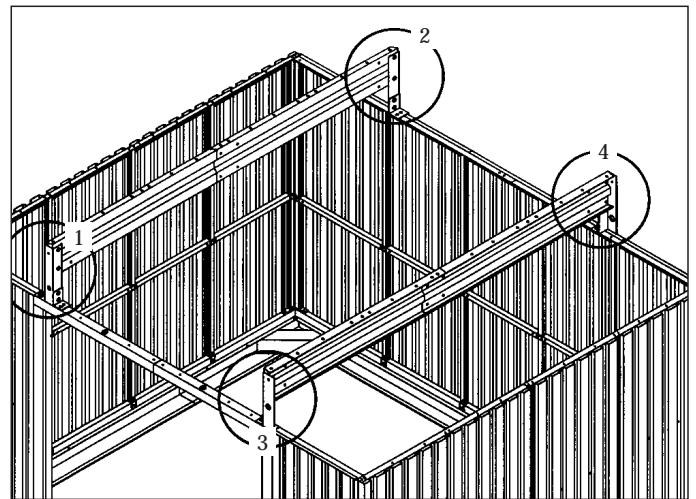


Fig. 4

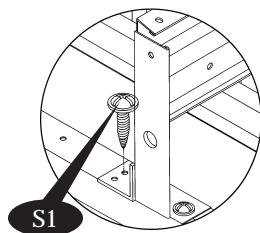
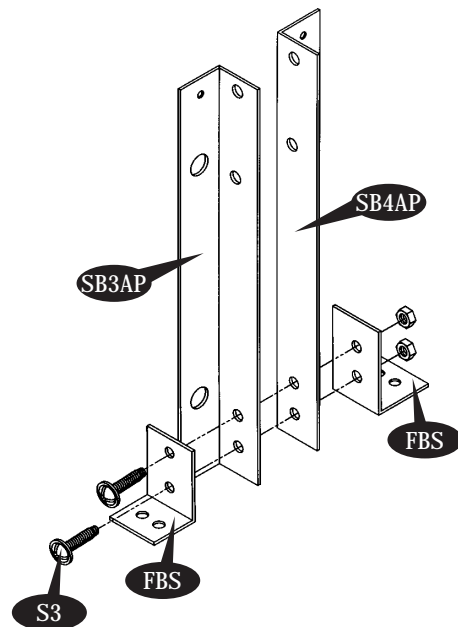
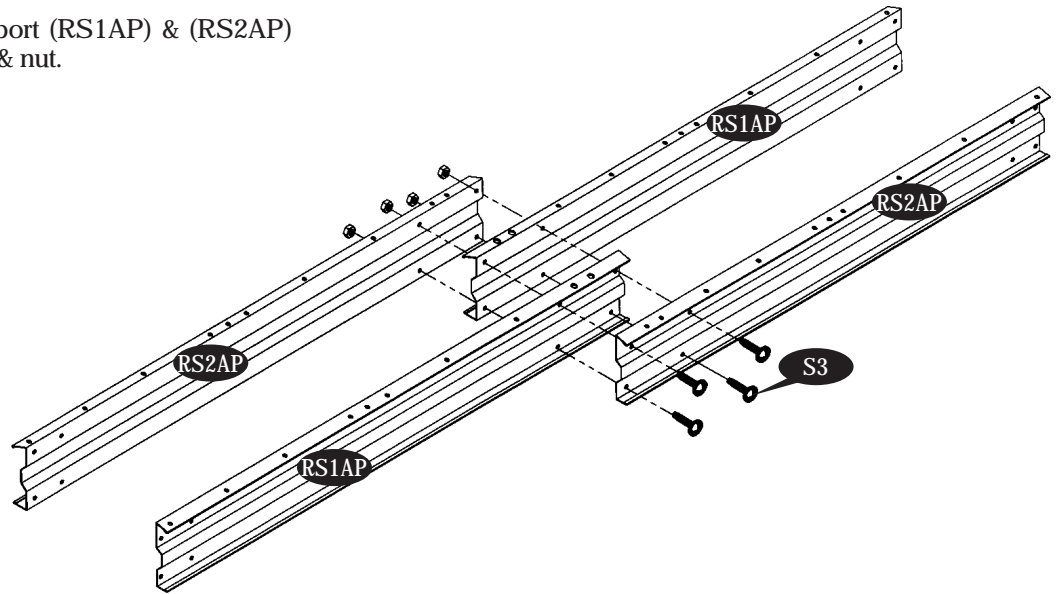


Fig. 3

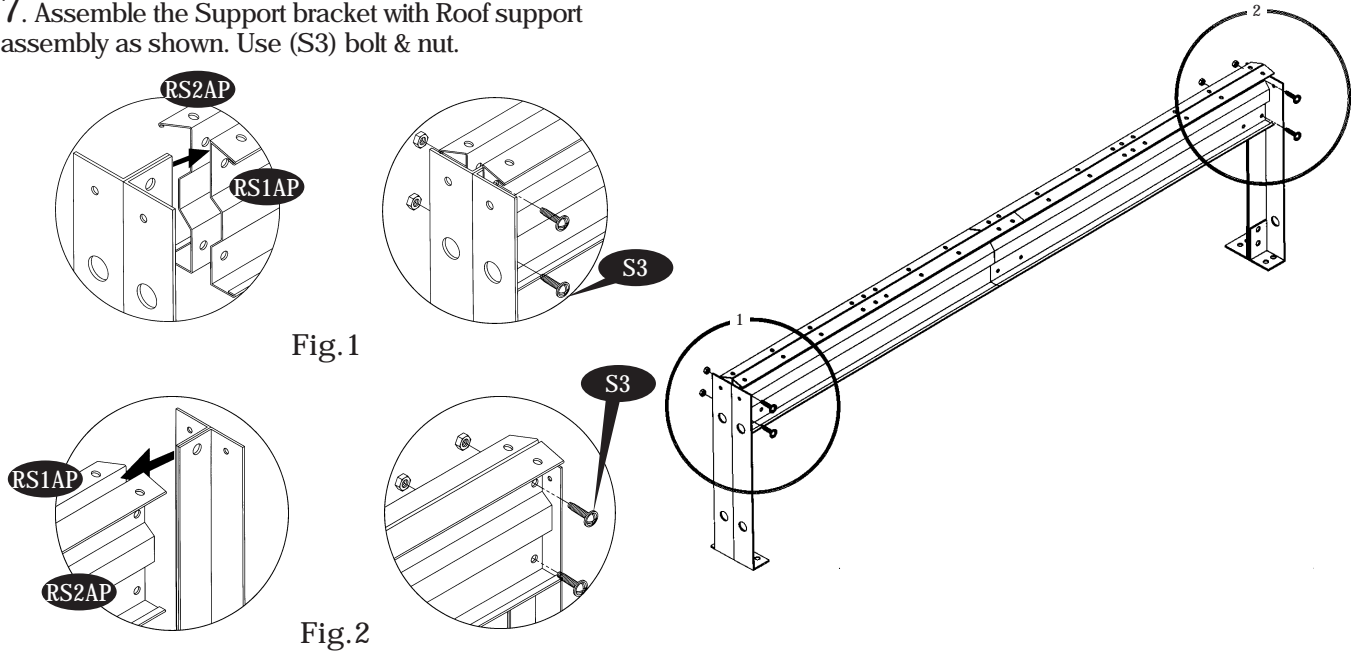
5. Assemble the Support bracket (SB3AP & SB4AP) together with Facia bracket support (FBS). Use (S3) bolt & nut. Make 2 Sets



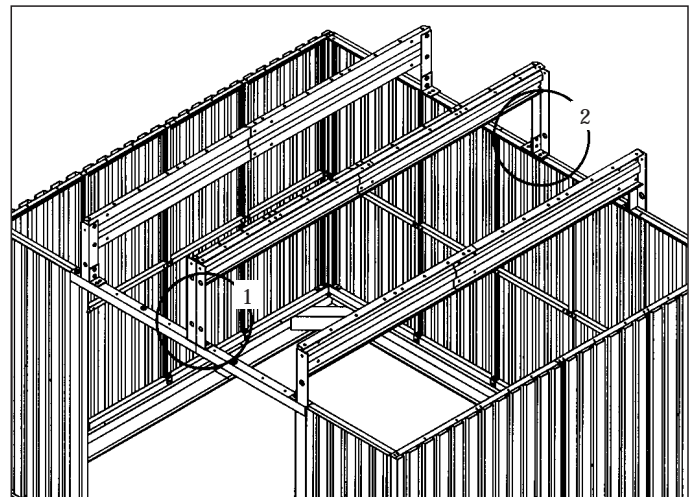
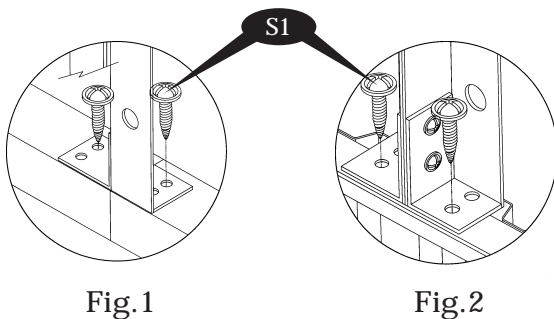
6. Assemble the roof Support (RS1AP) & (RS2AP) together with four (S3) bolt & nut.



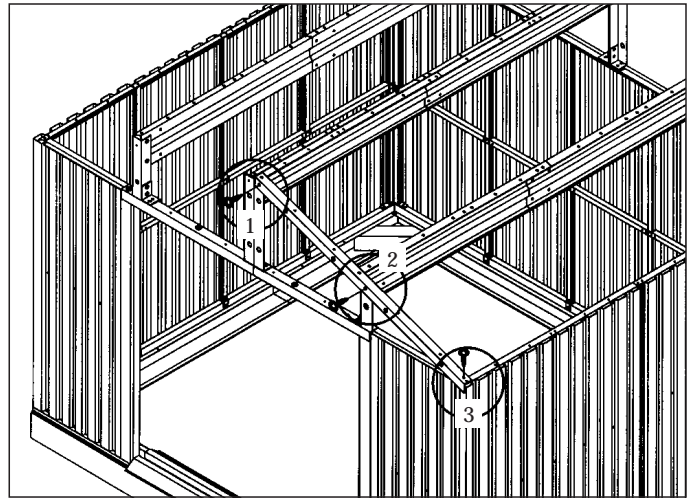
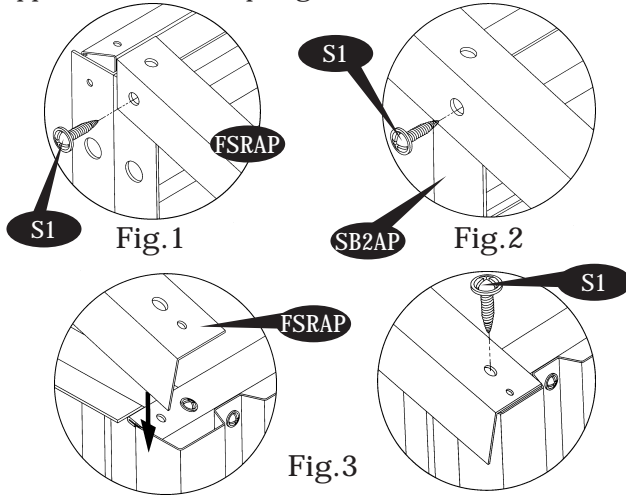
7. Assemble the Support bracket with Roof support assembly as shown. Use (S3) bolt & nut.



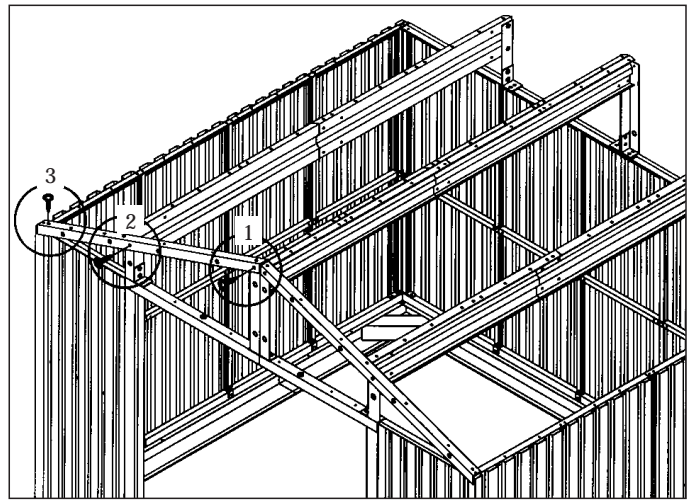
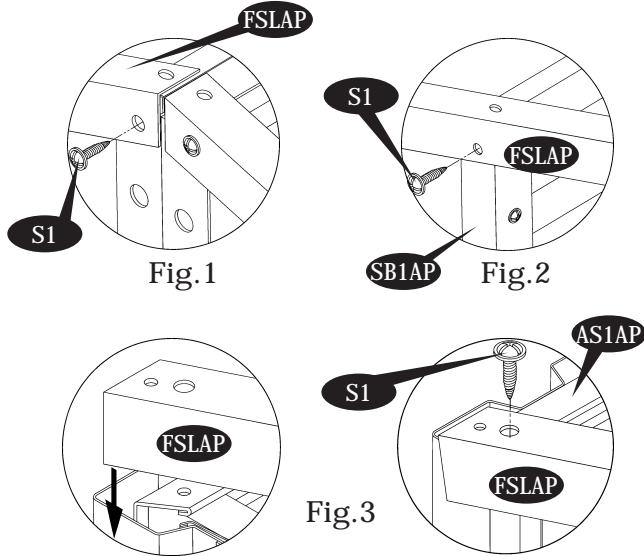
8. Place the Roof support assembly on top of the sliding channel and back top angle. Use (S1) screw to secure.



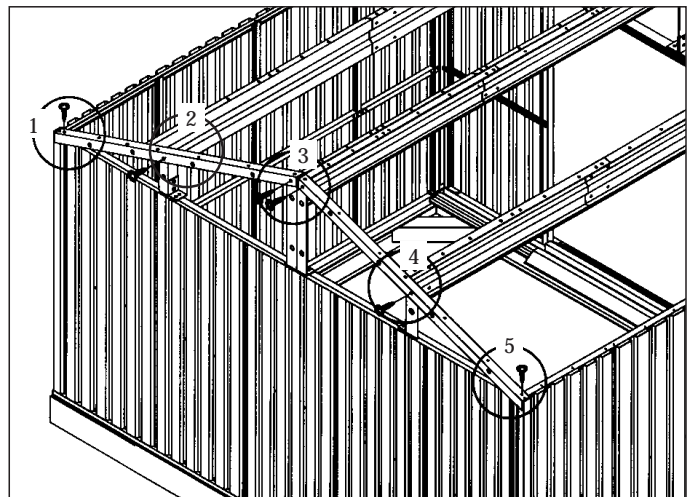
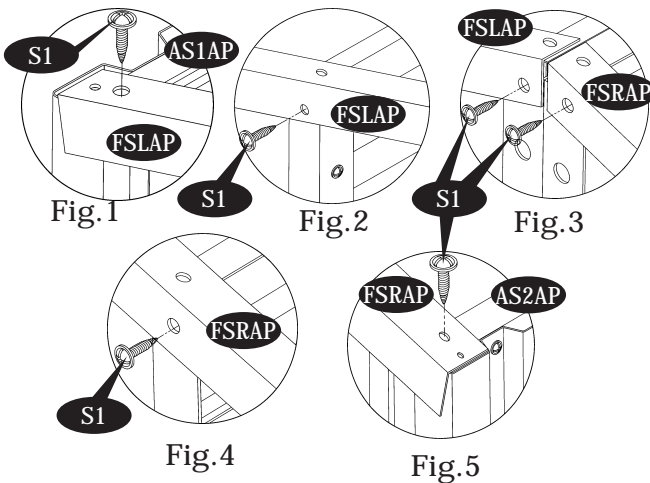
9. Place the Facia support right (FSRAP) on top of Roof support as shown. Secure with (S1) screws to support bracket and top angle side.



10. Place the Facia support left (FSLAP) on the top of Roof support as shown. Secure with (S1) screw to Support bracket and top angle side.



11. Place the Facia support left (FSLAP & FSRAP) on the top of Roof support as shown. Secure with (S1) screws to Support bracket and top angle side.



12. Place the Roof Structure (RS4AP) on the top of Roof support and top angle side. Secure with (S1) screws to the top angle and Roof support as shown in Fig. 1,2,3 & 4.

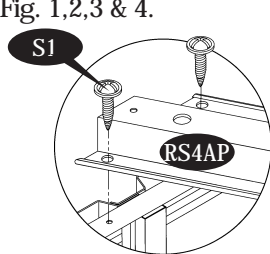


Fig.1

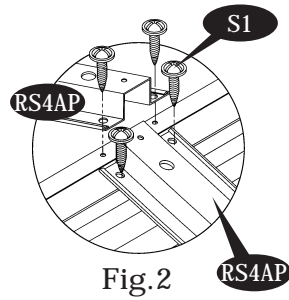


Fig.2

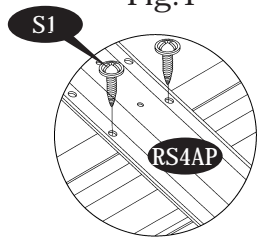


Fig.3

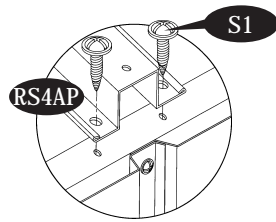
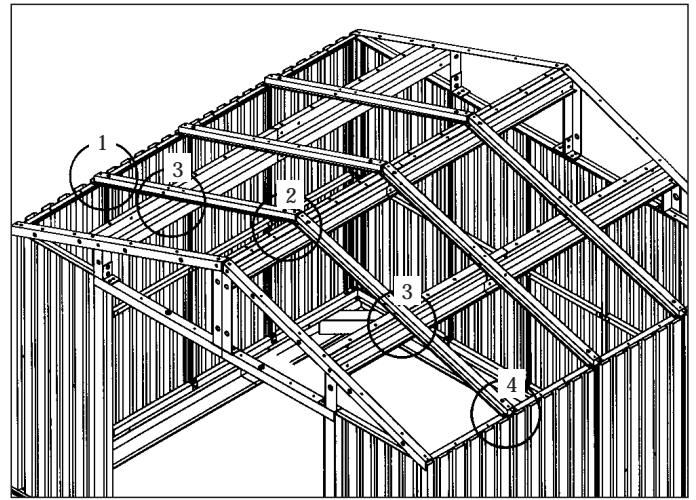
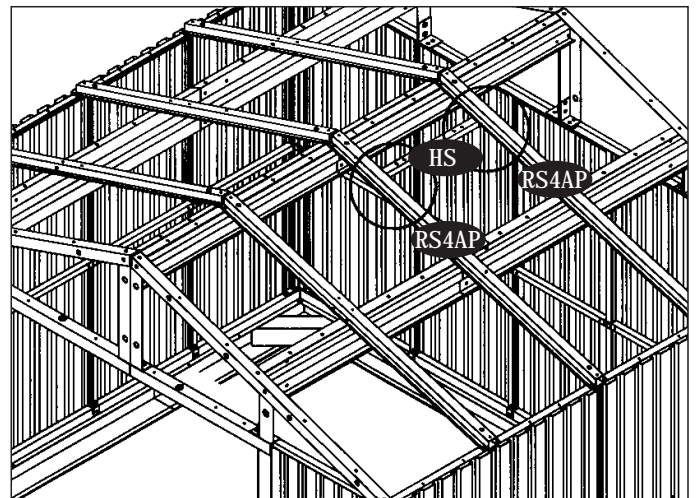
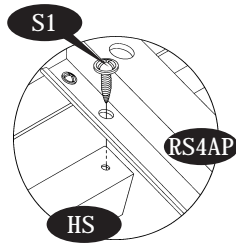


Fig.4



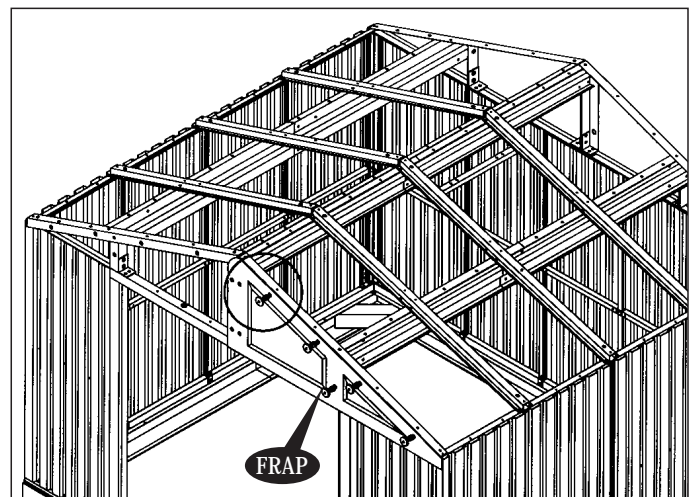
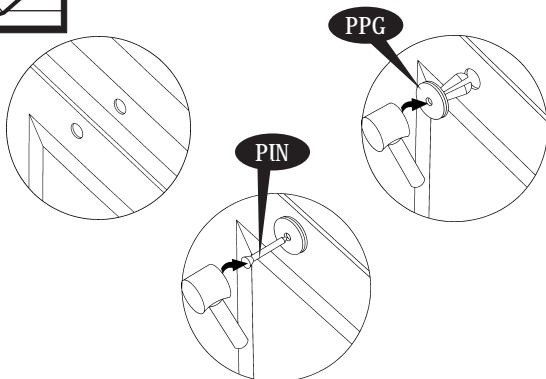
13. Place the Hinges Support (HS) to the roof structure (RS4AP) and secure with (S1) screws. See fig.



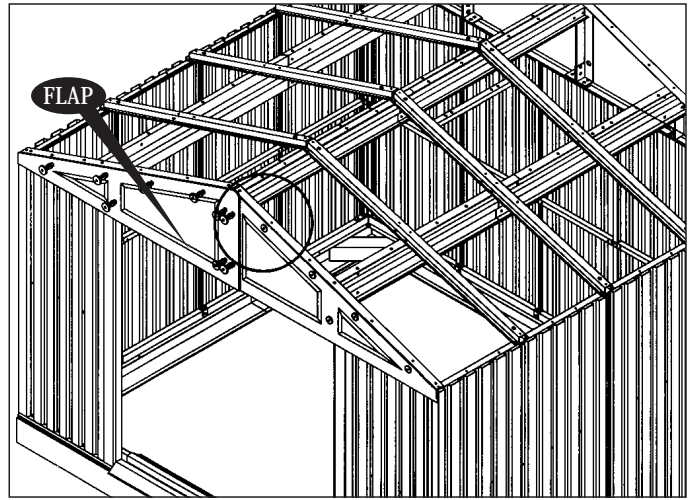
14. Place the Facia panel (FRAP) on Facia support at right side. Line up the holes with Facia support and fix the Roof plug with washer use a hammer (rubber mallet) to drive in roof pin.



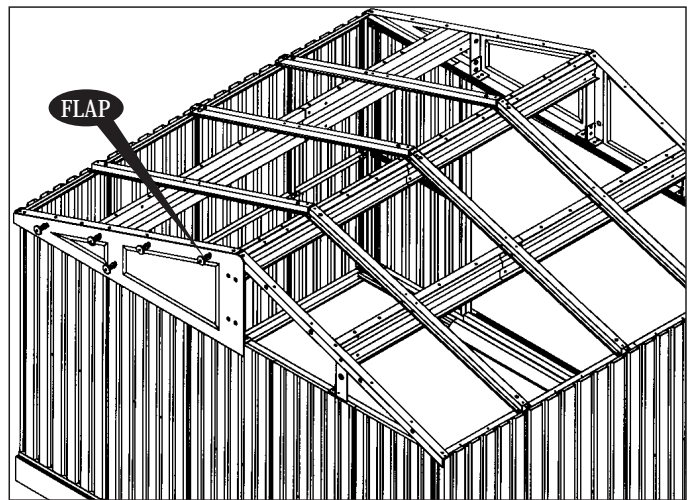
First insert all roof plugs with washers (Left & Right) then drive in the roof pins.



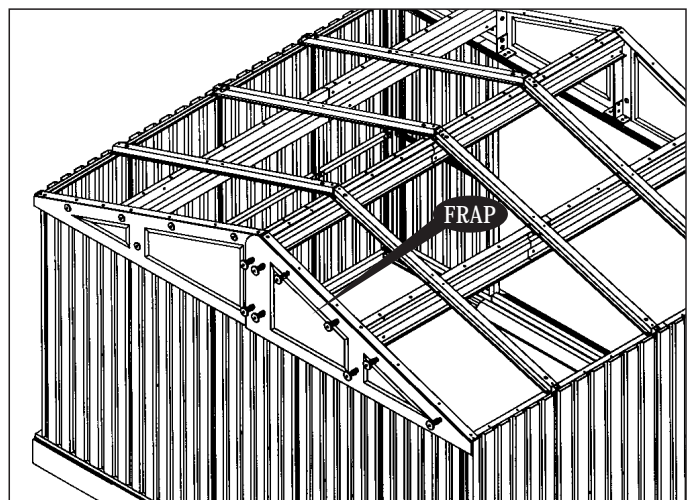
15. Place the Facia panel (FLAP) at left side and continue the same.



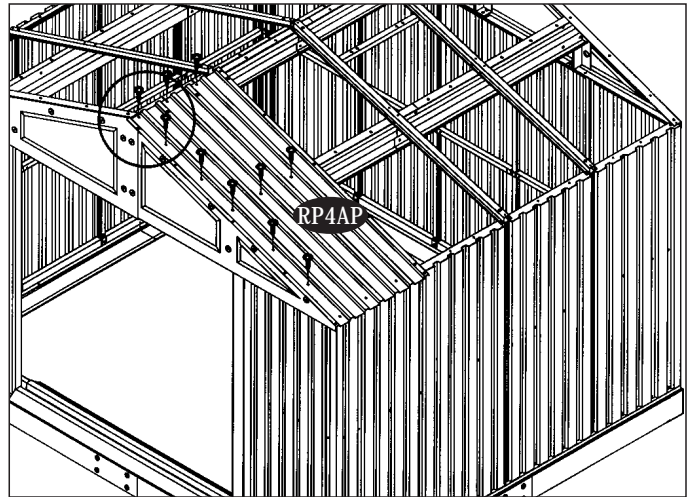
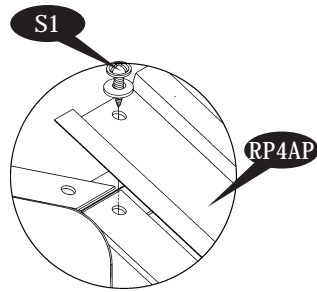
16. Place the Facia panel (FLAP) on back side left facia support and fix the Roof plugs with washer and drive in roof pins.



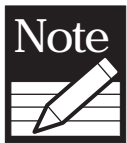
17. Place the Facia panel (FRAP) on back side right Facia support and fix the roof plugs with washer and drive in roof pins.



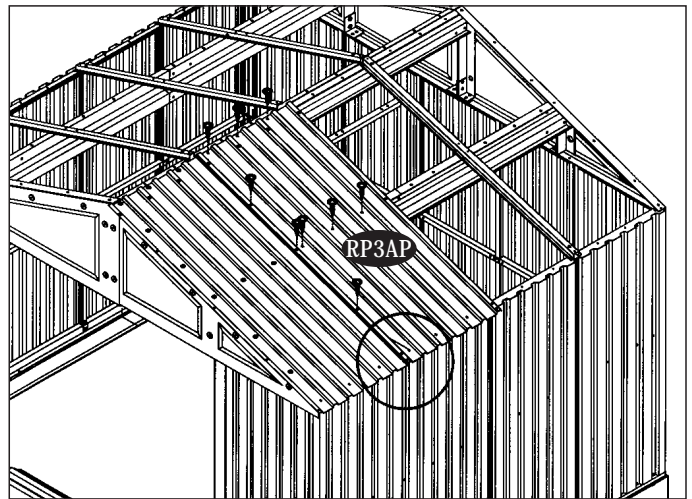
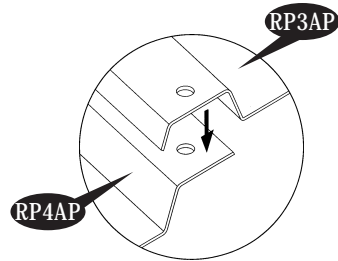
18. Place the Roof panel (RP4AP) on top of the Roof support and Facia support. Line up the holes and secure with (S1) screws with washer.



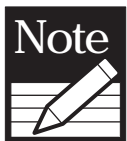
19. Place the Roof panel (RP3AP) on the Roof support. Secure with (S1) screws with washer.



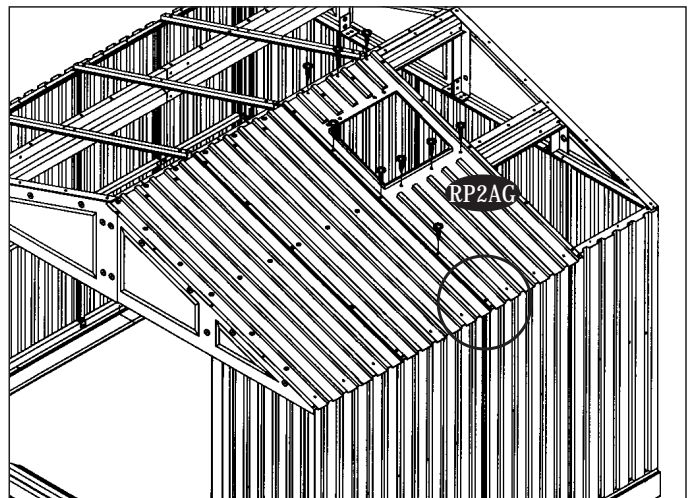
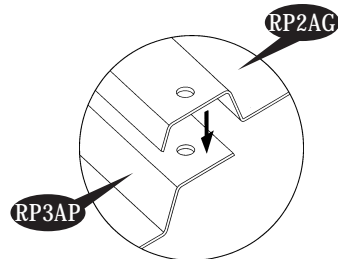
Make sure the overlapping position for roof panel is as shown in blow up



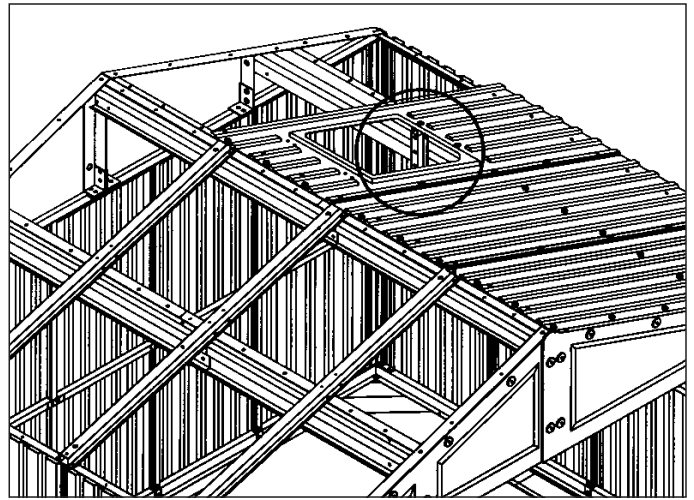
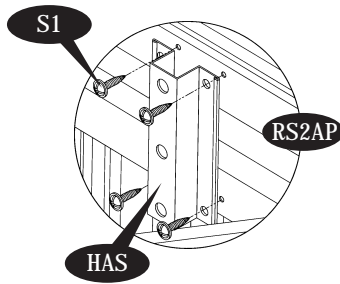
20. Place the Roof panel (RP2AG) on the Roof support. Secure with (S1) screws with washer.



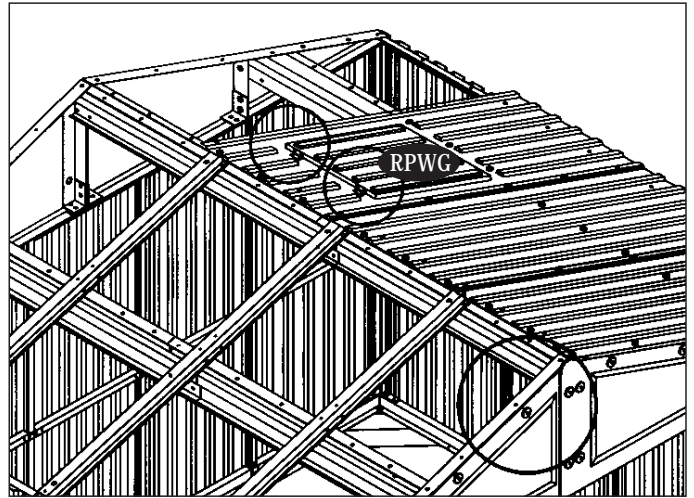
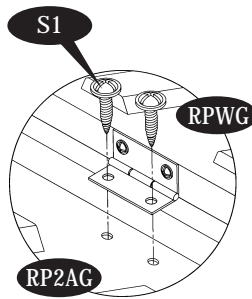
Make sure the overlapping position for roof panel is as shown in blow up



21. Place the Height Adjustable Support (HAS) to the roof structure (RS2AP) and secure with (S1) screws. see fig.



22. Place the Roof Panel Window (RPWG) on top of the Roof Panel (RP2AG). Fix the hinges through the roof panel to Hinges Support (HS) with (S1) screws see fig.



23. Insert the Hook (WHG) to the Roof Panel Window (RPWG) see fig. 1.

For open the window, lift the Hook (WHG) and insert the Height Adjustable Support (HAS) see fig. 2.

For Locking the window, insert the Hook (WHG) to the roof structure (RS2AP) see fig. 3.

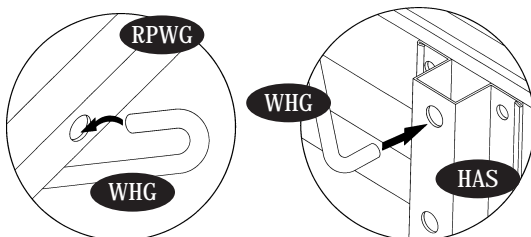


Fig.1

Fig.2

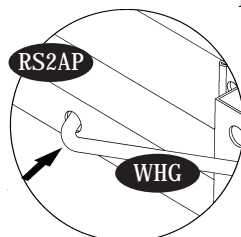
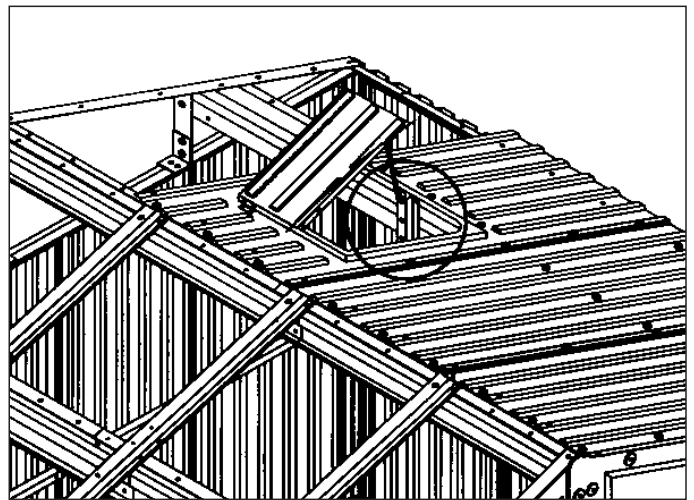
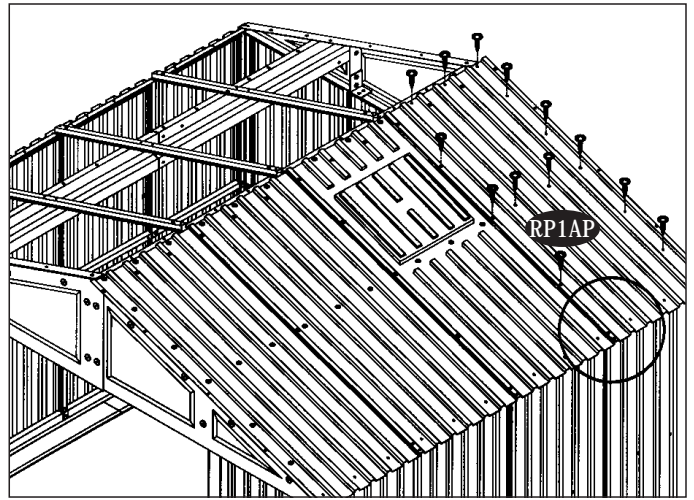
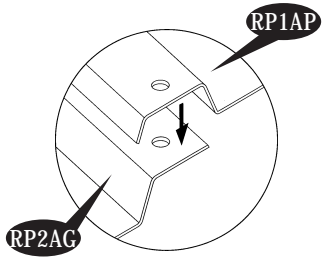


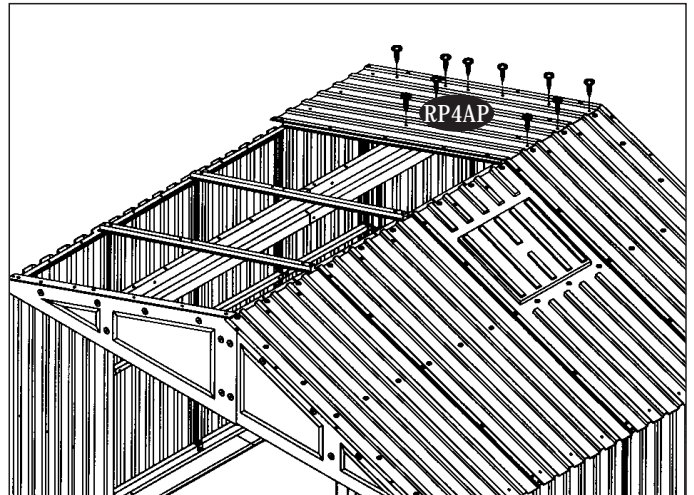
Fig.3



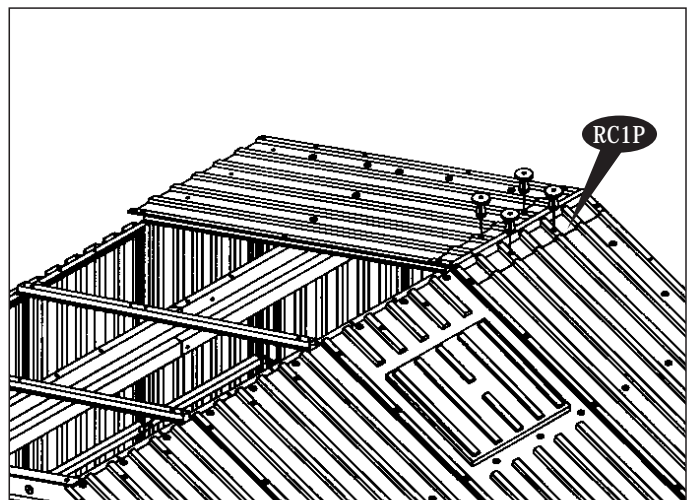
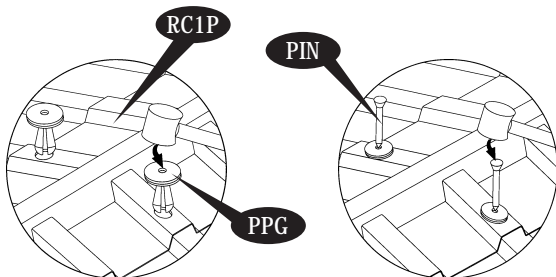
24. Place the Roof panel (RP1AP) on top of the Roof support and Facia support. Line up the holes and secure with (S1) screws with washer.



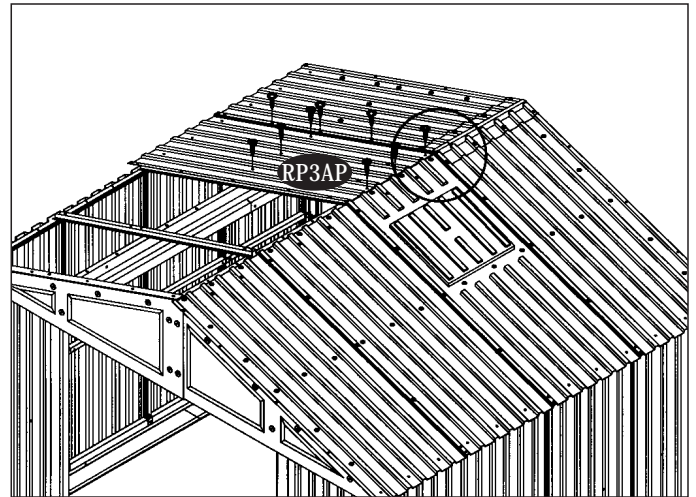
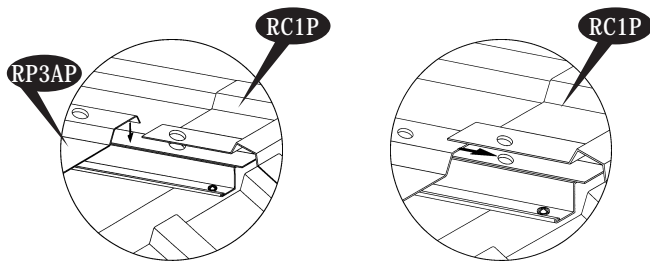
25. Place the Roof panel (RP4AP) on the Roof support and secure with (S1) screws with washers



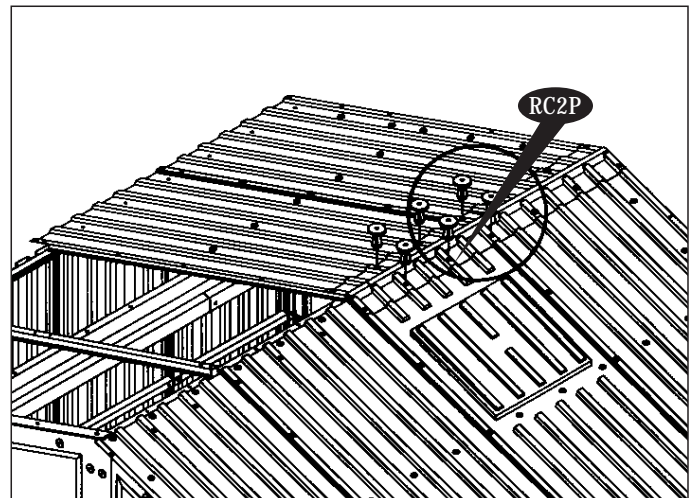
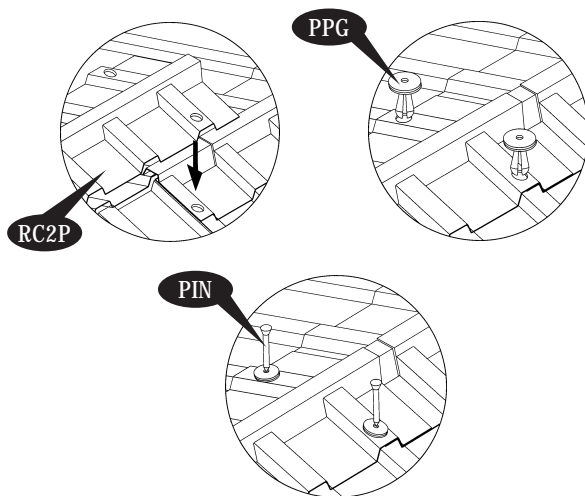
26. Place the ridge cover (RC1P) on top of Roof panel and fix with Roof plug with washer and drive in Roof Pins.



27. Place the Roof panel (RP3AP) by sliding under the Ridge cover (RC1P) to Roof support. Use (S1) screws with washer to secure.



28. Place the Ridge cover (RC2P) on top of Roof panel and fix with Roof plugs with washer and drive in Roof pins.



29. Place the Roof panel (RP2AP) by sliding under the Ridge cover (RC2P) to Roof support. Use (S1) screw with washer to secure.

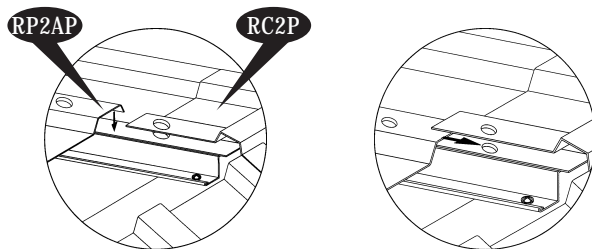
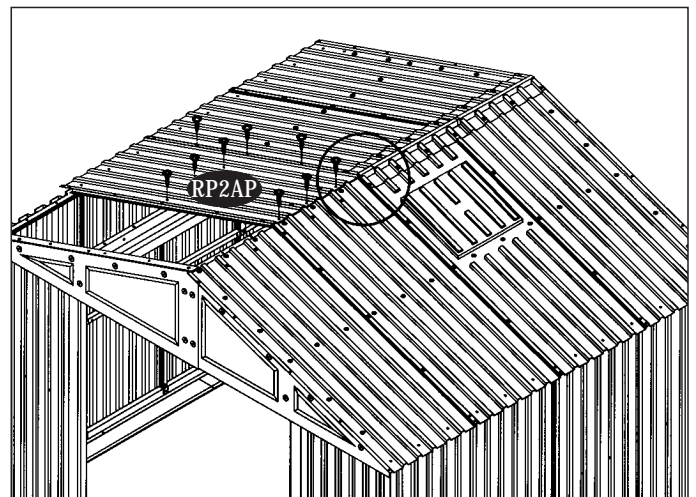
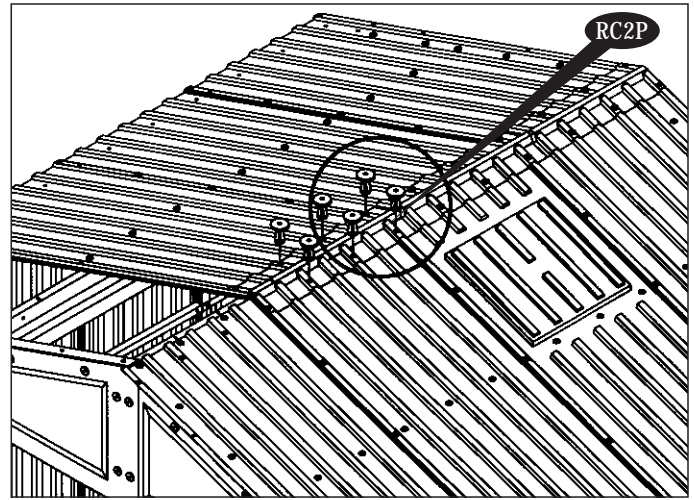
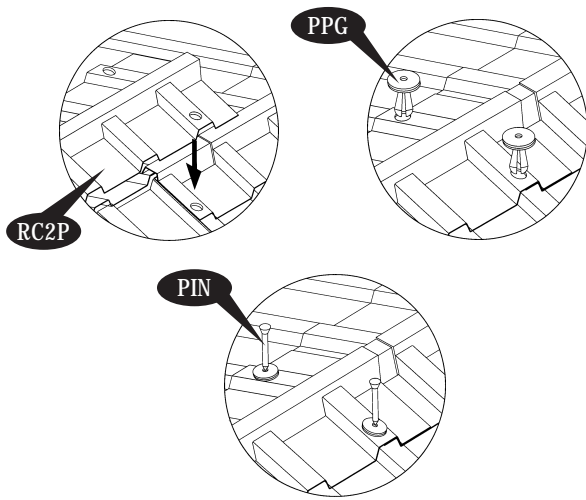


Fig.1

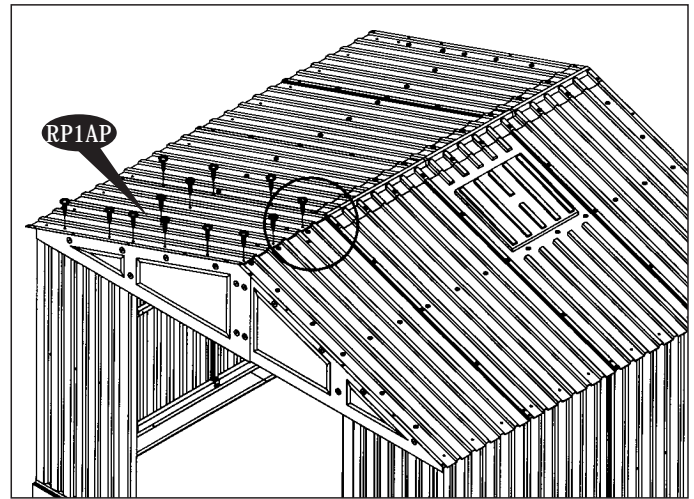
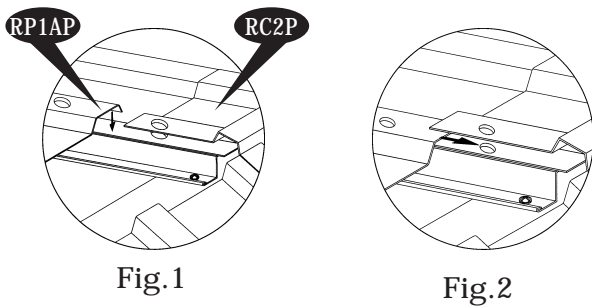
Fig.2



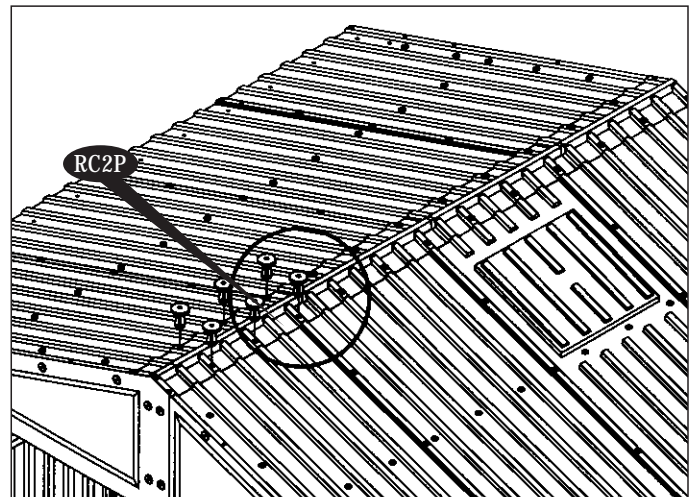
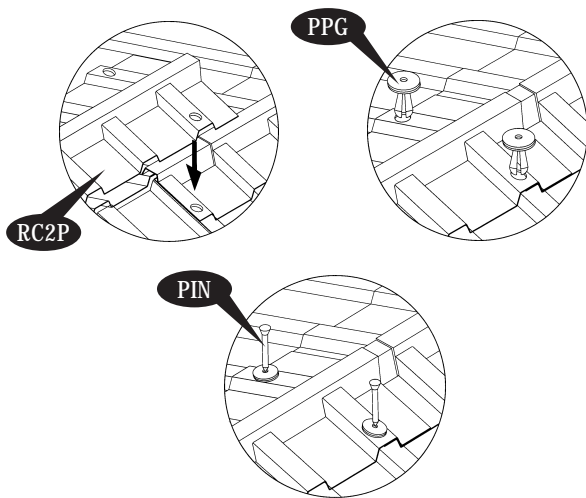
30. Place the ridge cover (RC2P) on top of Roof panel and fix with Roof plugs with washer and drive in roof pins.



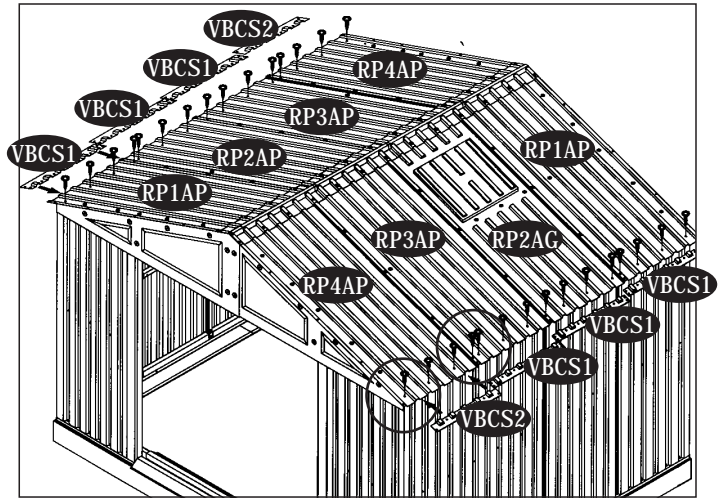
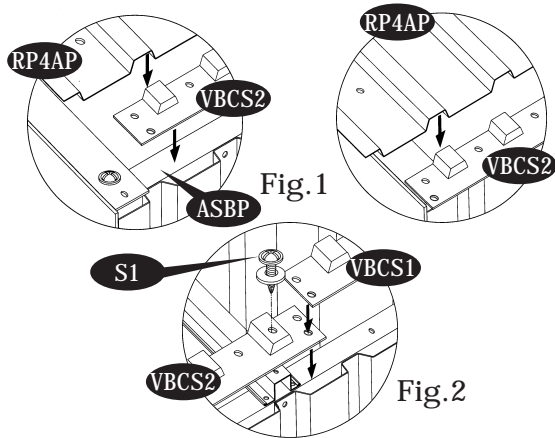
31. Place the Roof panel (RP1AP) by sliding under the Ridge cover (RC2P) to Roof support. Use (S1) screw with washer to secure.



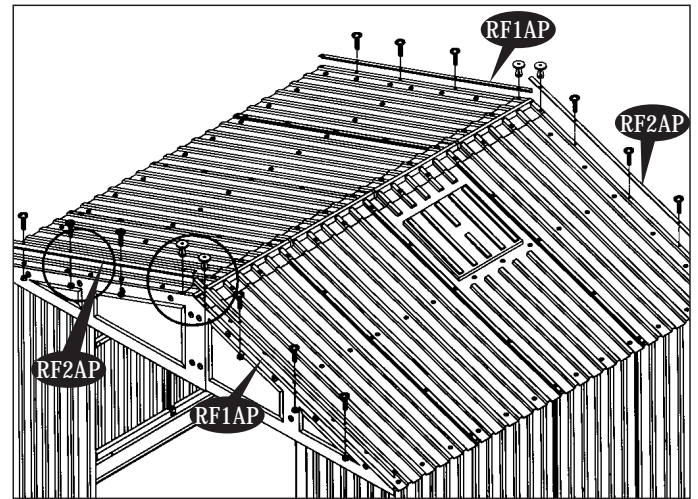
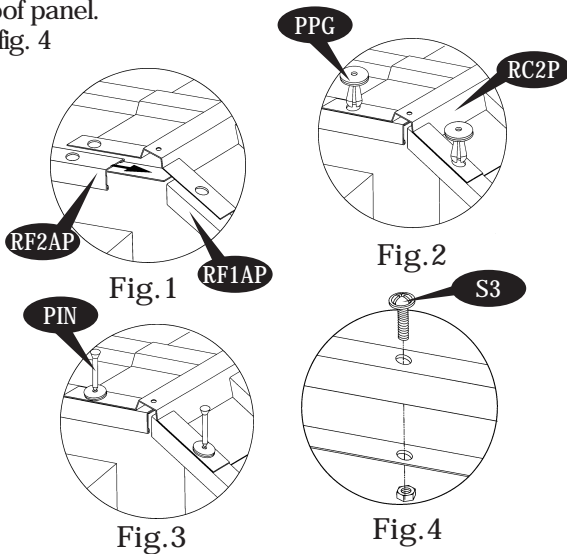
32. Place the ridge cover (RC2P) on top of Roof panel and fix with Roof plugs with washer and drive in roof pins.



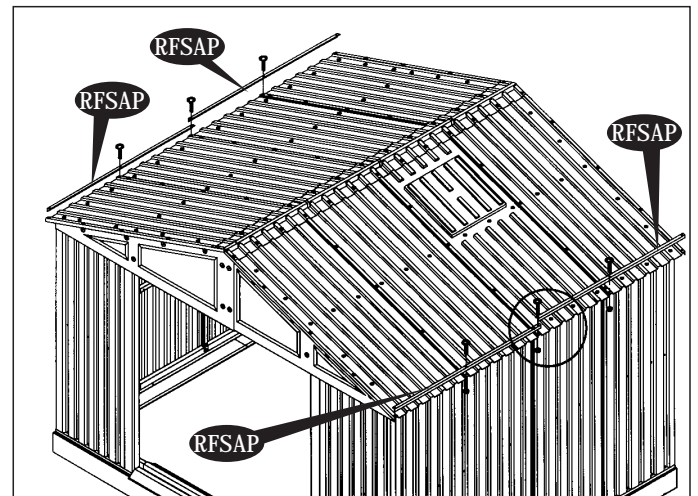
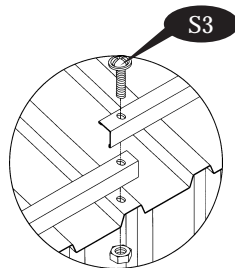
33. Insert the Ventilation Blocking Cover Side (VBCS1) & (VBCS2) in between the roof panel and the top angle side (ASBP). Line up the holes and secure (S1) screws with washer.



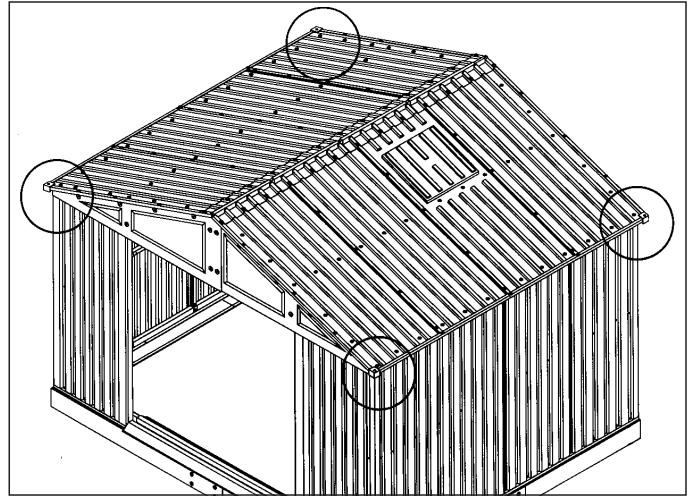
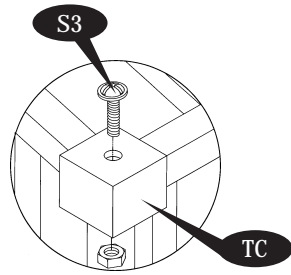
34. Insert the Roof flashing (RF1AP & RF2AP) under the ridge cover. See fig. 1. Line up the holes and fix the roof plug with washer from ridge cover through roof flashing to roof panel drive in the roof pins. See fig. 2 & 3. Use (S3) bolt & nut with washers to fix the Roof flashing & Roof panel. See fig. 4



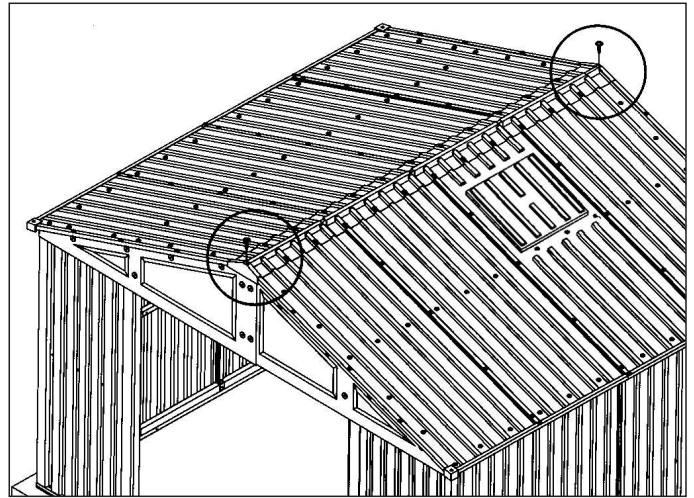
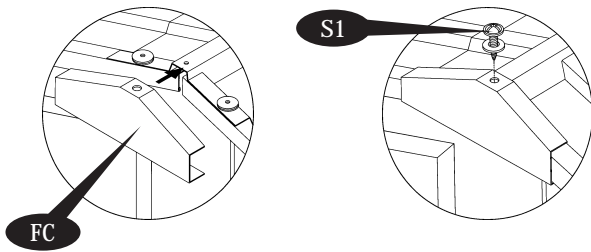
35. Fix the Roof flashing (RFSAP) at the edge of roof panel with (S3) bolt & nut with washers at both side, see the overlapping on the blow up.



36. Place the Top corner (TC) on the Roof flashing joint and secure with (S3) bolt & nut.



37. Insert the Ridge end cap to the front & back top of the roof and secure with (S1) screws with washer.

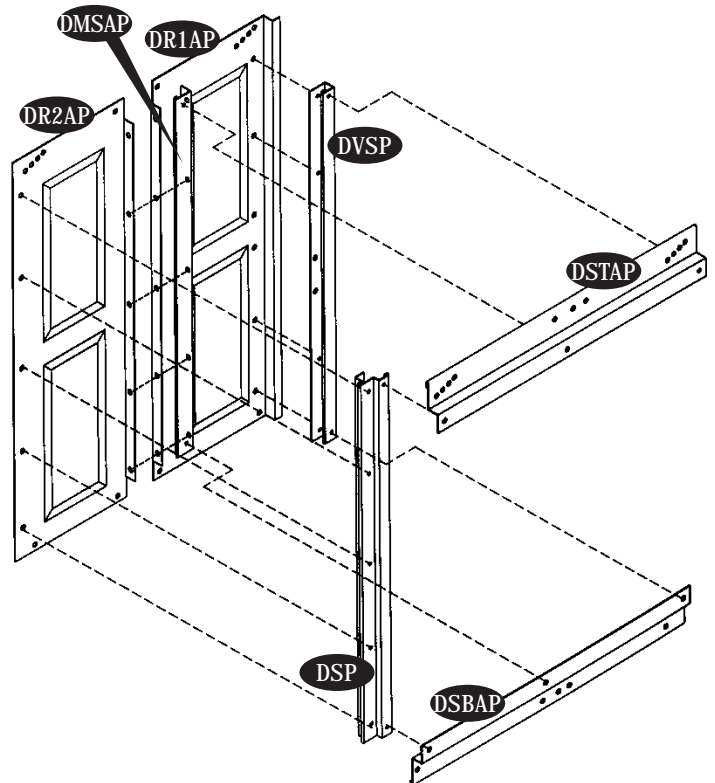
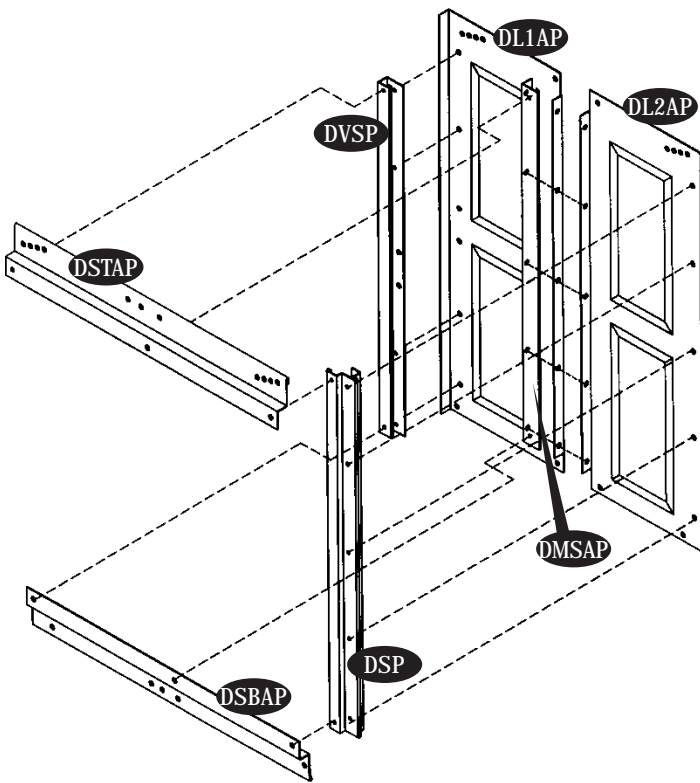


D. Door

Parts Needed:

- (1) Door panel
- (1) Door panel
- (1) Door panel
- (1) Door panel
- (2) Door panel strip top
- (2) Door panel strip bottom

- (DL1AP)
- (DL2AP)
- (DR1AP)
- (DR2AP)
- (DSTAP)
- (DSBAP)

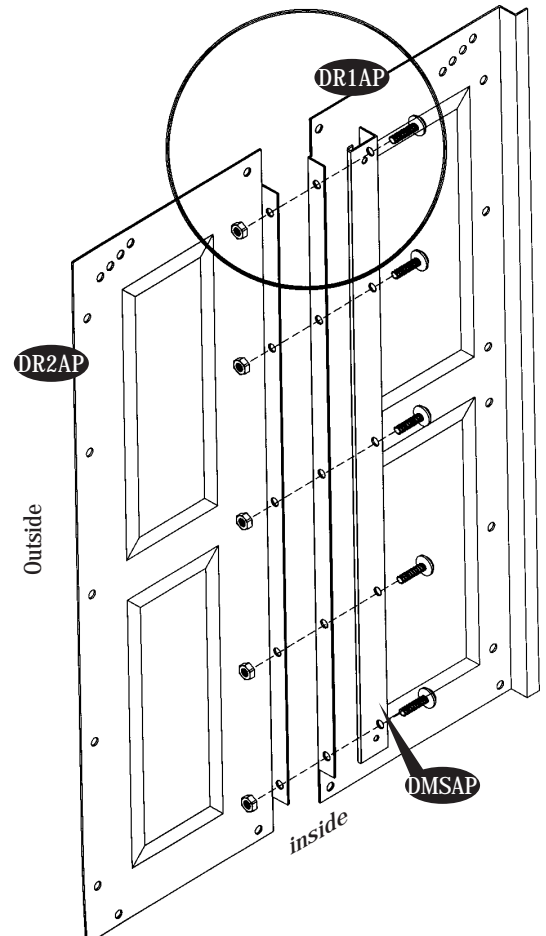
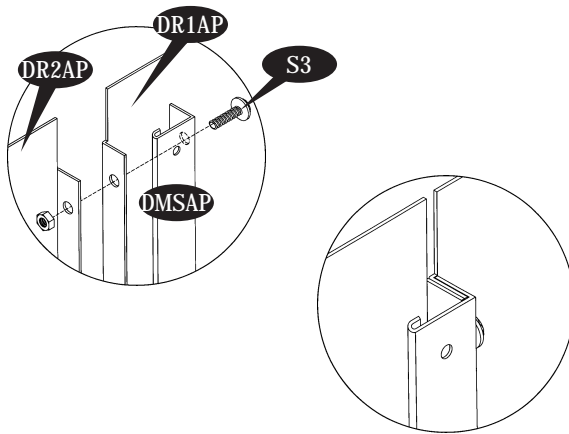


- (2) Door panel middle support
- (2) Door stopper vertical
- (2) Door panel vertical support
- (2) Door handle
- (4) Bottom Slider
- (4) Sheet metal screw
- (38) Sheet metal screw
- (18) Machine screw
- (26) Plastic washer
- (26) Plastic screw cover

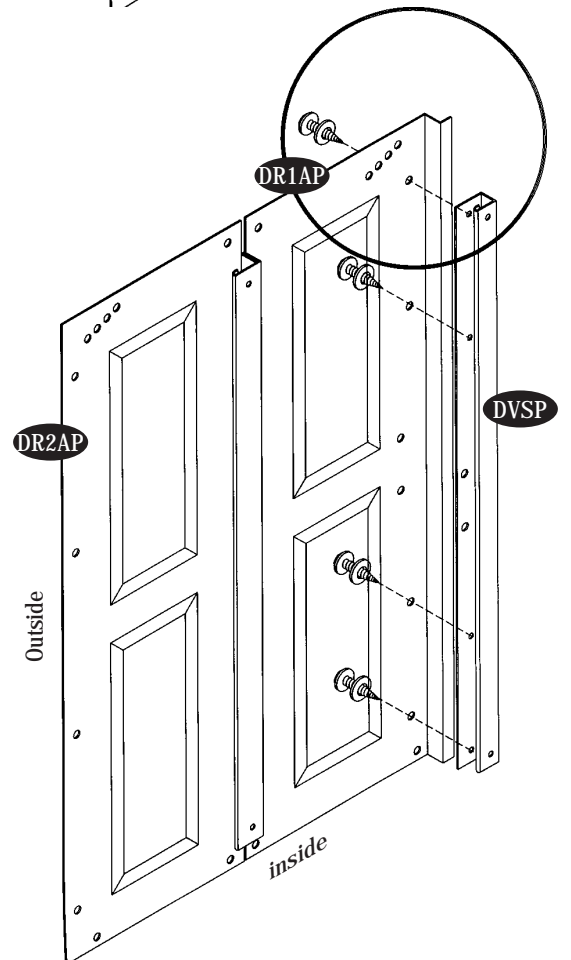
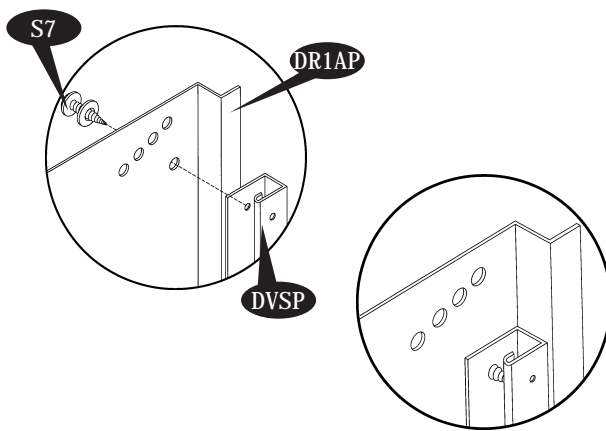
- (DMSAP)
- (DSP)
- (DVSP)
- (DH)
- (BS)
- (S1)
- (S7)
- (S3)
- (PW)
- (PC)

Right Door Assembly

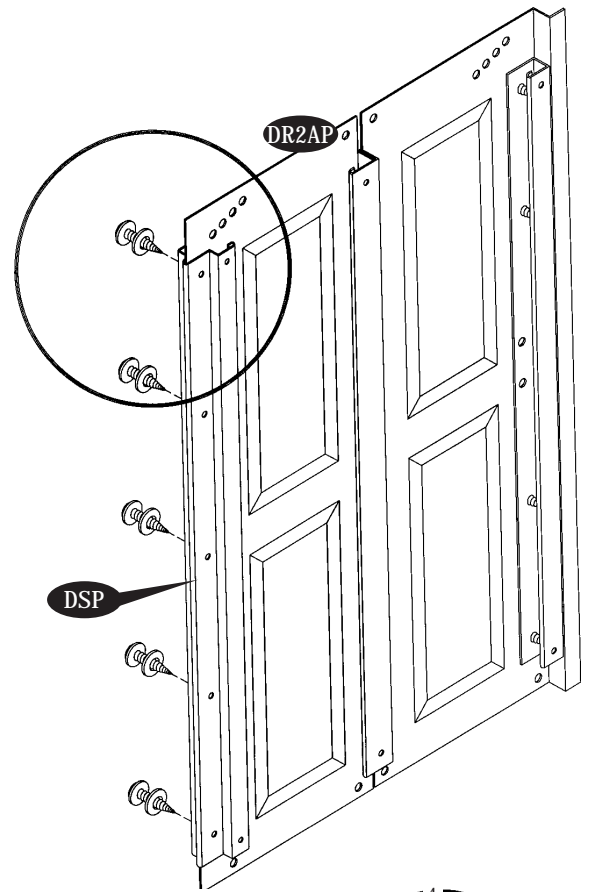
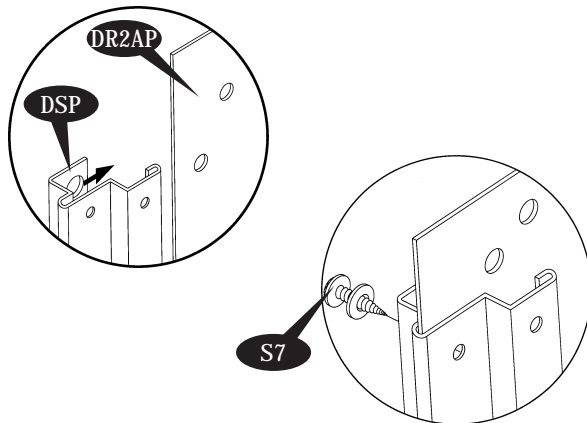
1. Assemble the door panel (DR1AP & DR2AP) and Door panel middle support (DMSAP) together with (S3) bolt and nut from inside.



2. Place the Door panel vertical support (DVSP) to the Door panel (DR1AP) from inside. Secure the panel to the (DVSP) Use (S7) screws with washer from outside.



3. Assemble the Door stopper vertical (DSP) to the Door panel (DR2AP) make sure the side edge of the panel to be inserted into the door stopper profile (DSP). Secure the stopper with Door panel with (S7) screw as shown in fig.



4. Assemble the Door panel strip top (DSTAP) with Door panel. Make sure the Door panel top edge to be inserted into the (DSTAP). See fig. 1.

Secure the Door panel strip top (DSTAP) with door stopper (DSP) with (S7) screw. See fig. 2.

Secure the Door panel with DSTAP use (S7) screws with washer. See fig. 3.

Secure the DMSAP with DSTAP use (S7) screw. See fig. 3

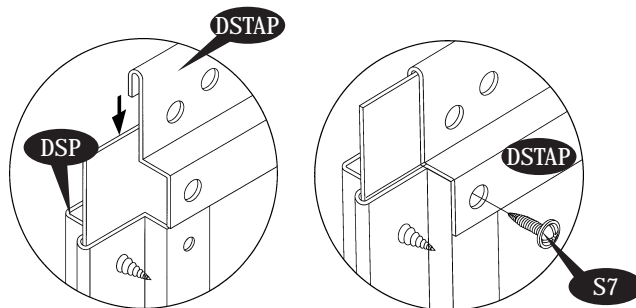


Fig.1

Fig.2

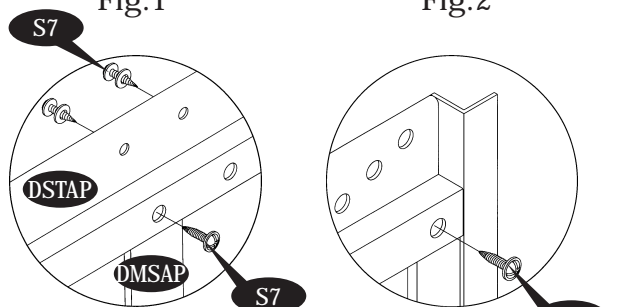
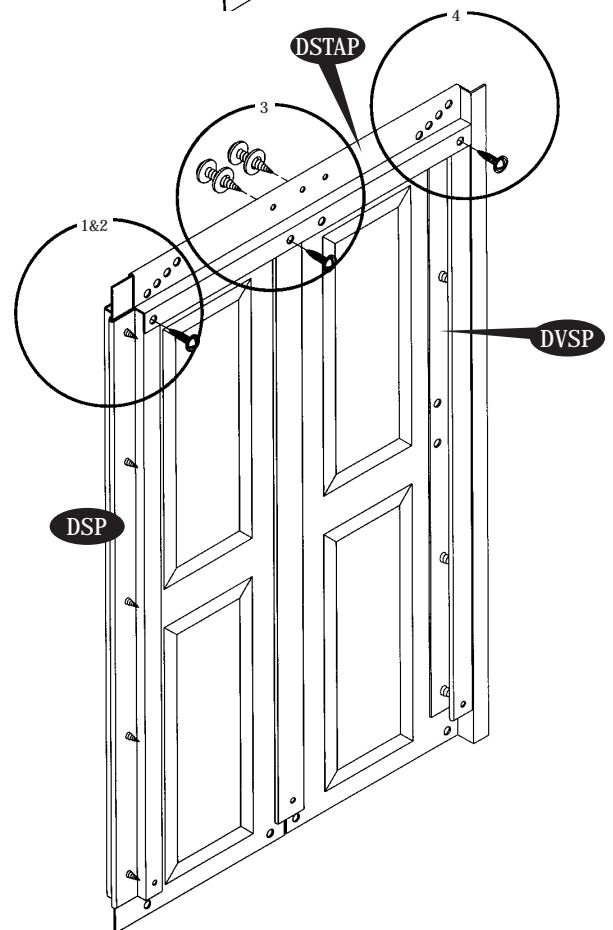


Fig.3

Fig.4



5. Assemble the Door panel strip bottom (DSBAP) with Door panel. Make sure the Door panel bottom edge to be inserted into the (DSBAP). See fig. 1

Secure the strip (DSBAP) with Door stopper (DSP) with (S7) screws. See fig. 2

Secure the Door panel with (DSTBP) use (S7) screws with washer from outside. See fig. 3

Secure the (DMSAP) with (DSBAP) use (S7) screw. See fig. 3.

Secure (DSBAP) with (DVSP) use (S7) screws. See fig. 4

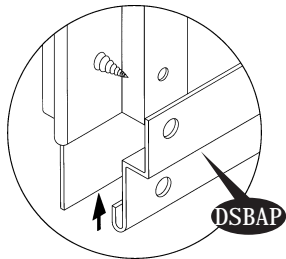


Fig.1

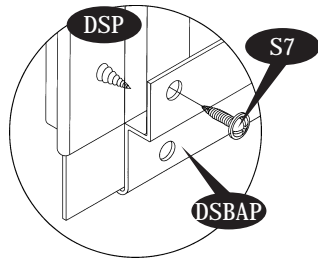


Fig.2

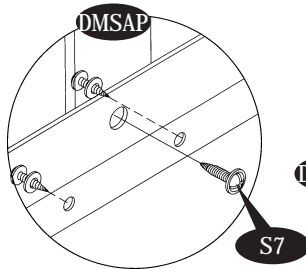


Fig.3

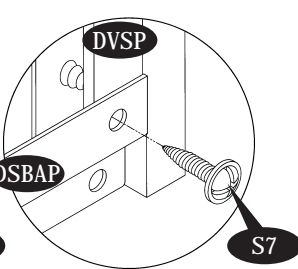
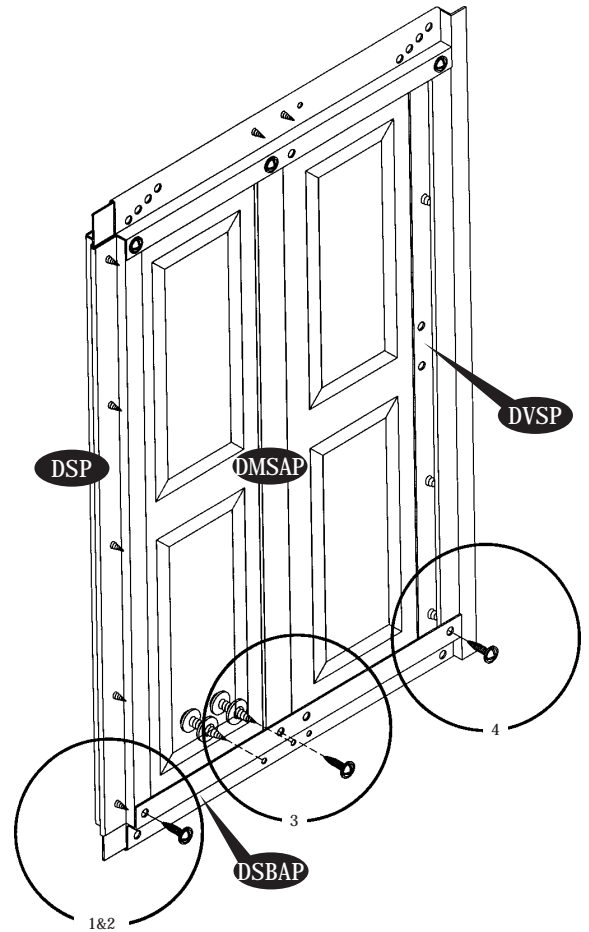
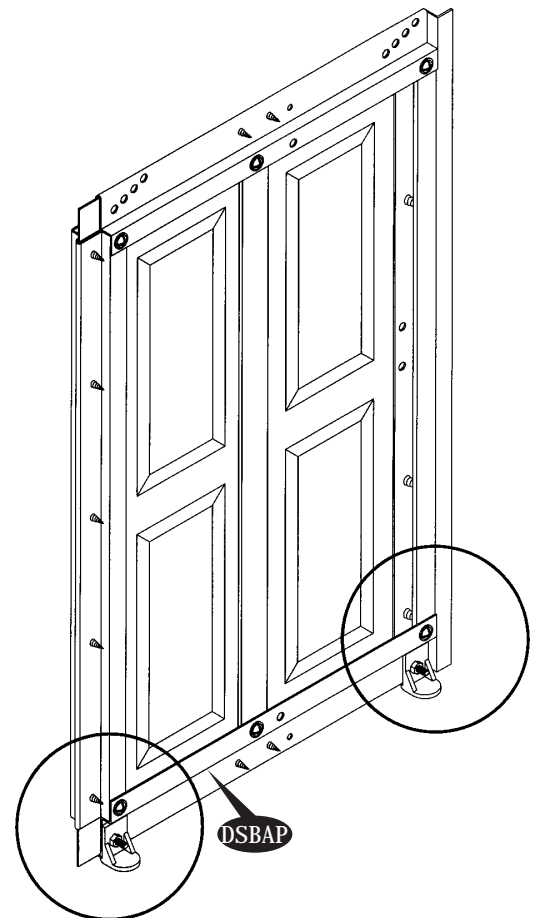
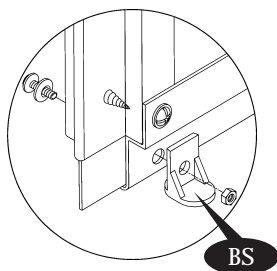


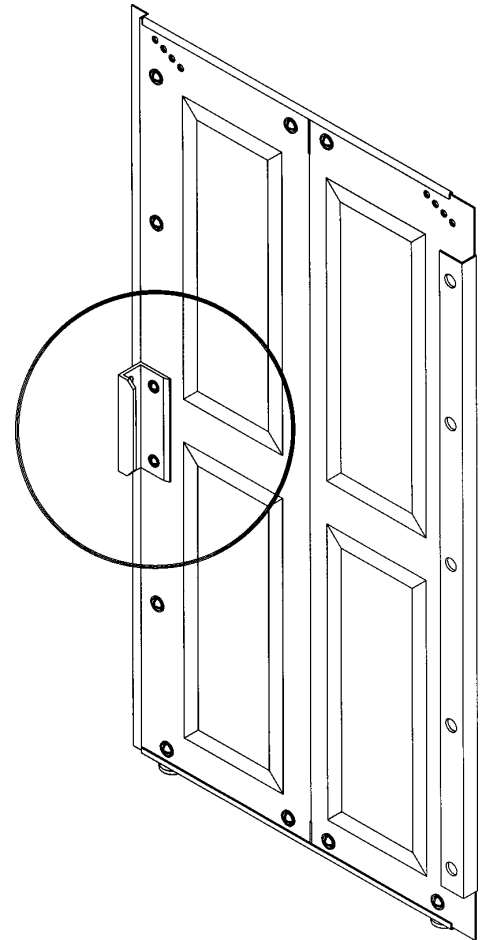
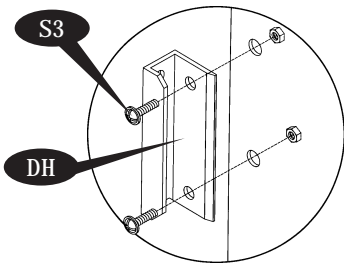
Fig.4



6. Assemble to bottom slider (BS) to the Door panel. Bottom side at both edge with (S3) bolt and nut with washers.

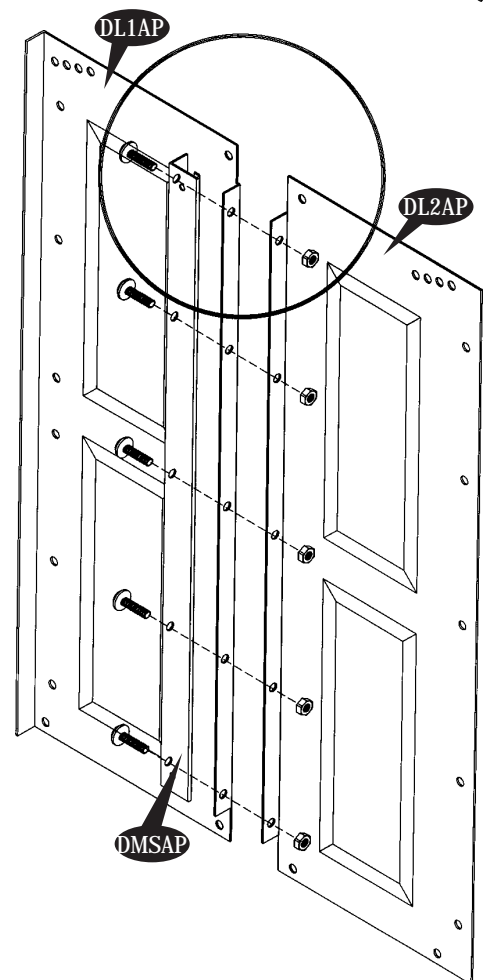
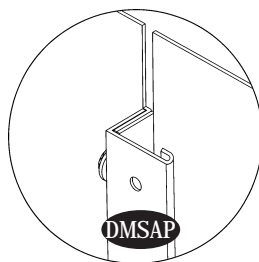
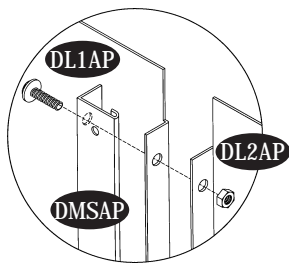


7. Fix the Door handle (DH) with Door panel from front side with bolt & nut.

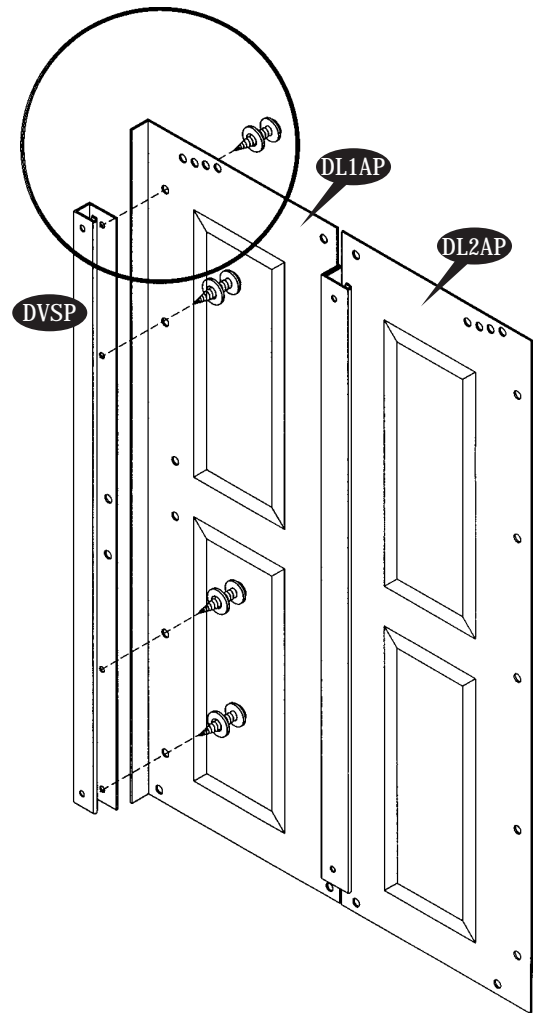
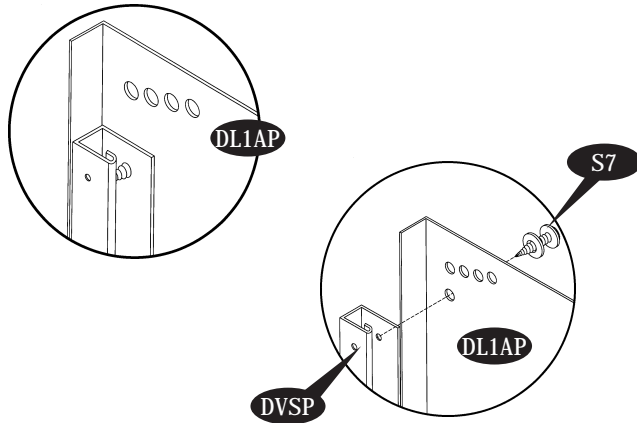


Left Door Assembly

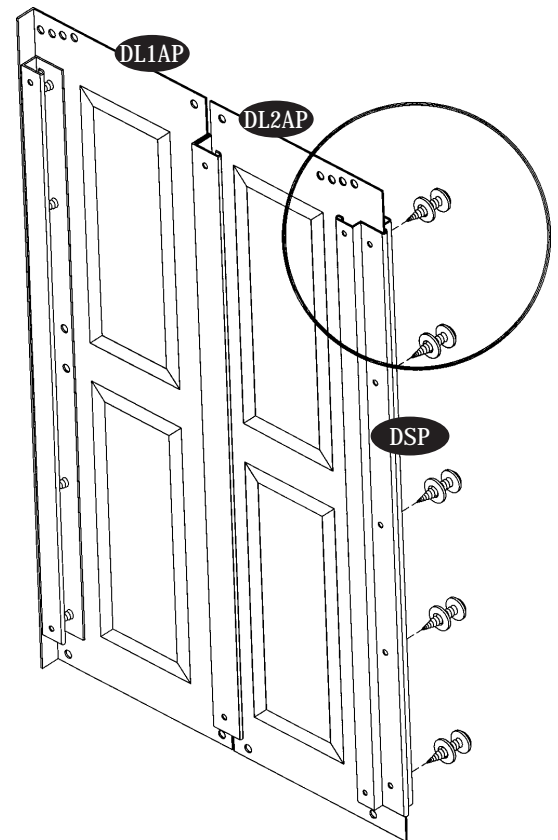
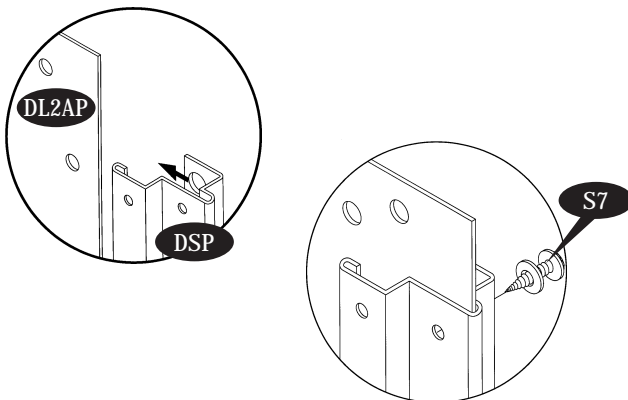
8. Assemble the door panel (DL1AP & DL2AP) and Door panel middle support (DMSAP) together with (S3) bolt and nut from inside.



9. Place the door panel vertical support (DVSP) to the Door panel (DL1AP) from inside secure the panel to the (DVSP). Use (S7) screws with washer from out side.



10. Assemble to Door stopper vertical (DSP) to the Door panel (DL2AP). Make sure the side edge of the panel to be inserted into the Door stopper profile (DSP). Secure the stopper with Door panel with (S7) screws as shown in fig.



11. Assemble the Door panel strip top (DSTAP) with Door panel. Make sure the Door panel top edge to be inserted into the (DSTAP).

Secure the Door panel strip top (DSTAP) with Door stopper (DSP) with (S7) screws. See fig. 1&2.

Secure the Door panel with (DSTAP) use (S7) screws with washers from out side. See fig. 3.

Secure the (DMSAP) with (DSTAP) use (S7) screws from inside. See fig. 3

Secure the other end of (DSTAP) with (DVSP) use (S7) screws. See fig. 4.

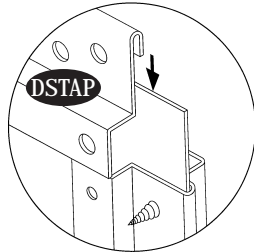


Fig.1

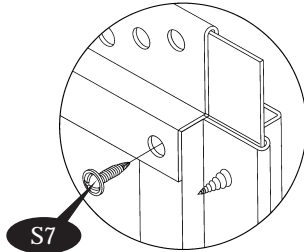


Fig.2

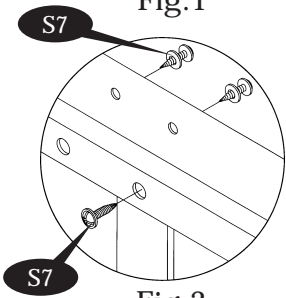


Fig.3

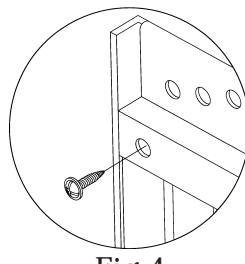
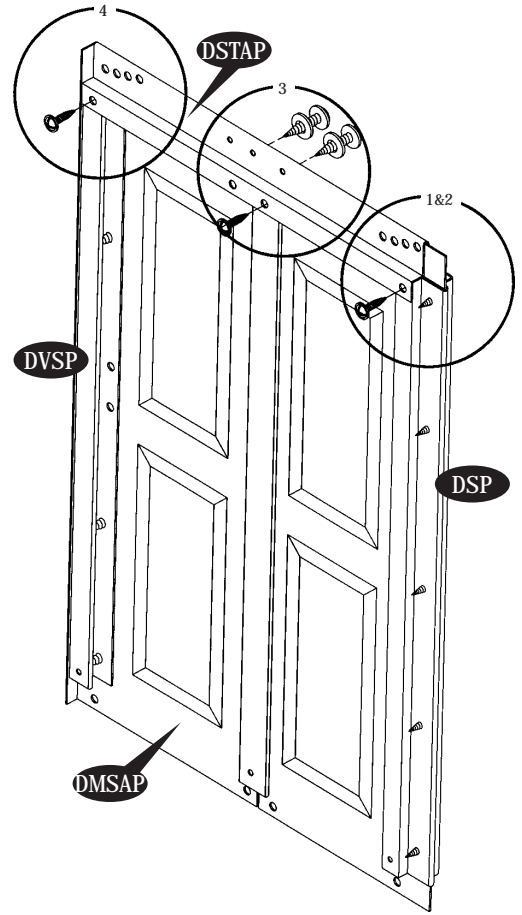


Fig.4



12. Assemble the Door Strip bottom (DSBAP) with Door panel. Make sure the Door bottom edge to be inserted into the (DSBAP).

Secure the Door panel strip bottom (DSBAP) with Door stopper (DSP) with (S7) screws. See fig. 1 & 2.

Secure the Door panel with (DSBAP) use (S7) screws with washers from out side. See fig. 3.

Secure the (DMSAP) with (DSBAP) use (S7) screws from inside. See fig. 3

Secure the other end of (DSBAP) with (DVSP) use (S7) screws. See fig. 4.

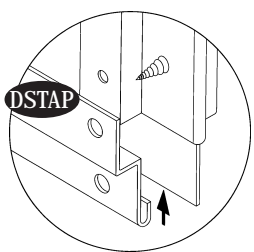


Fig.1

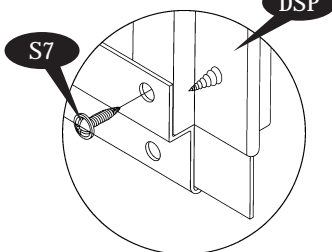


Fig.2

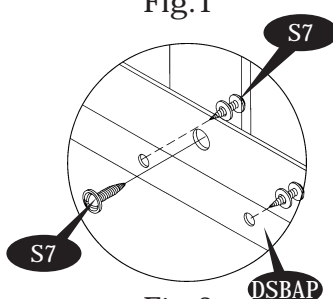


Fig.3

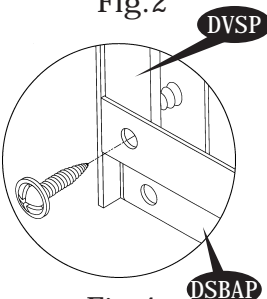
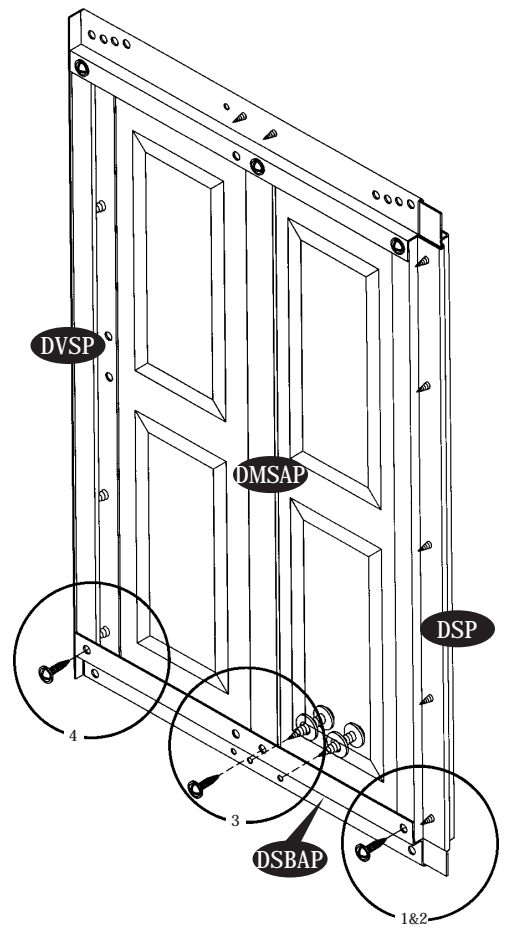
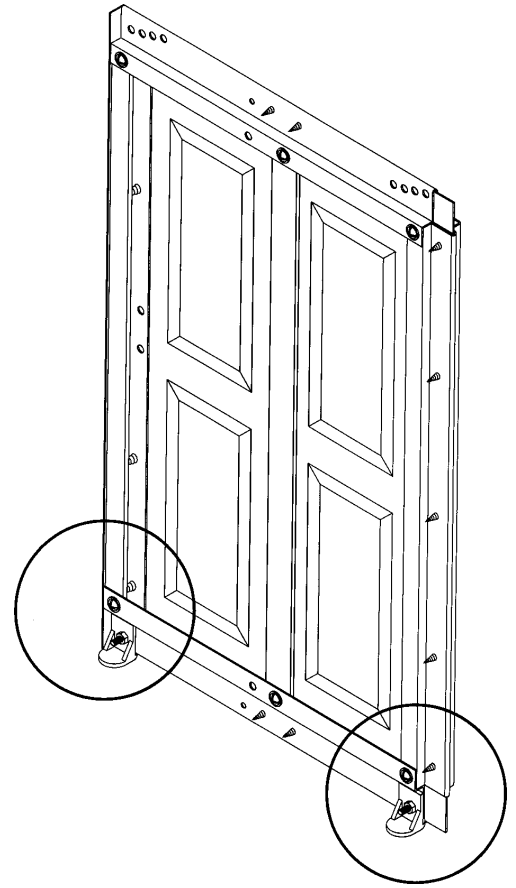
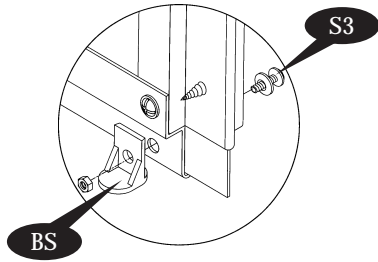


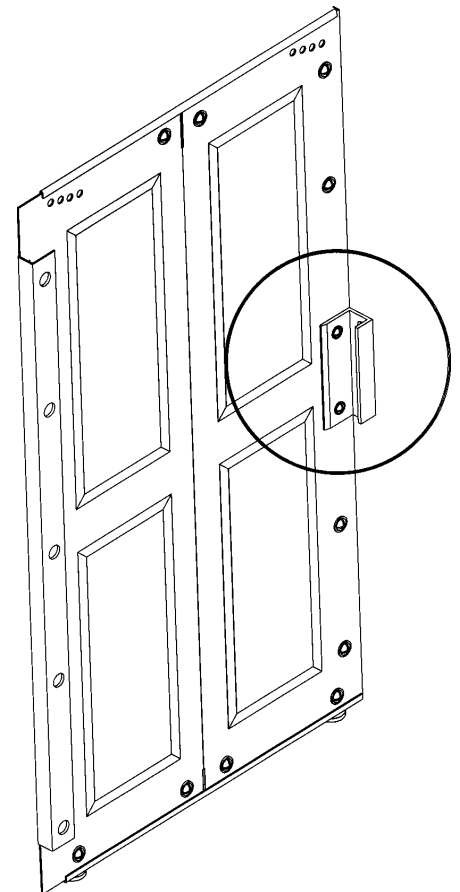
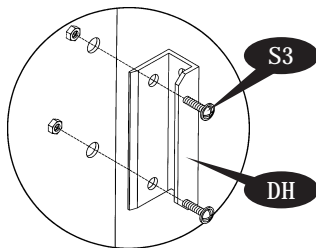
Fig.4



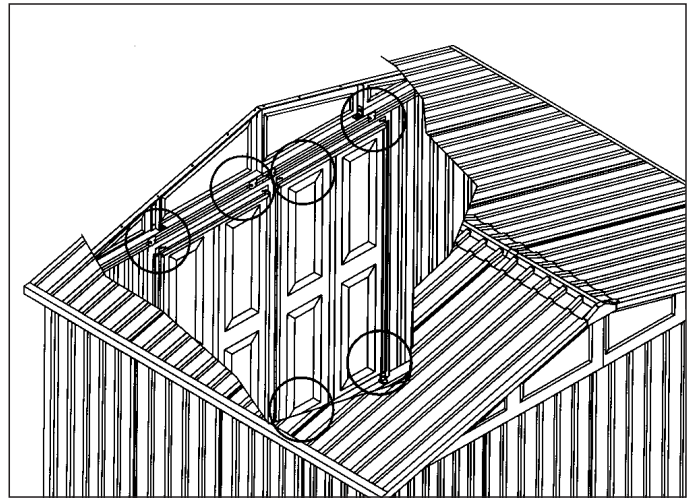
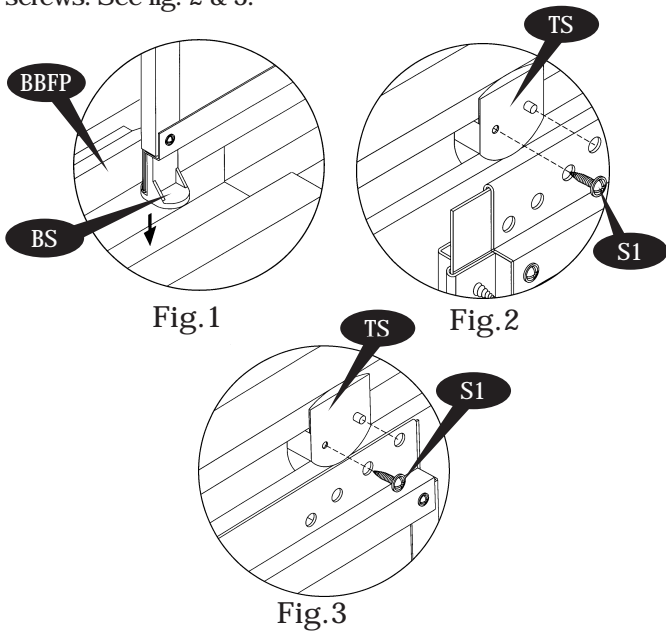
13. Assemble to bottom slider (BS) to the Door panel bottom side at both edge with (S3) bolt and nut with washers.



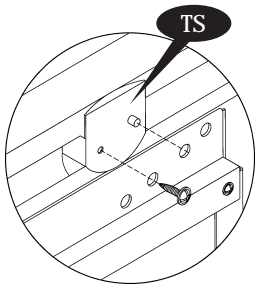
14. Fix the Door handle (DH) with Door panel from front side with bolt & nut.



15. Slide the Door panel assembly into the base bar front (BBFP). Make sure the bottom slider (BS) should slide inside the base bar front. See fig. 1. Fix the Door panel top to the top slider (TS) with (S1) screws. See fig. 2 & 3.

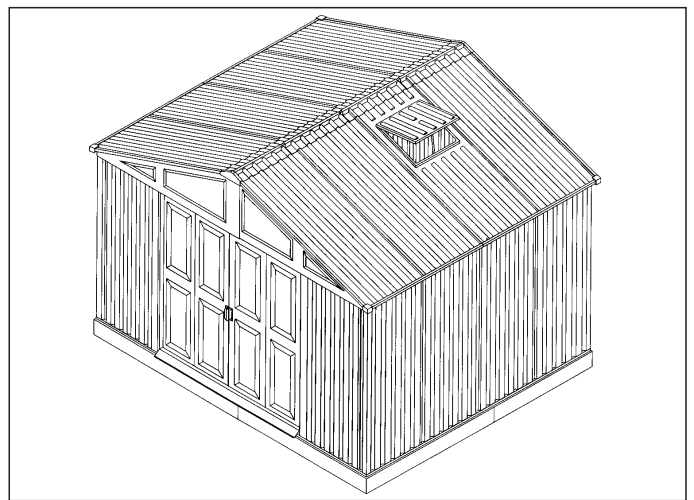
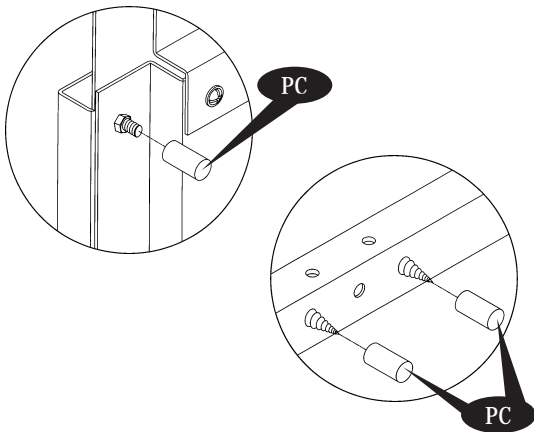


15 a. To get proper alignment of the Door re-align the holes with Door panel. See fig.

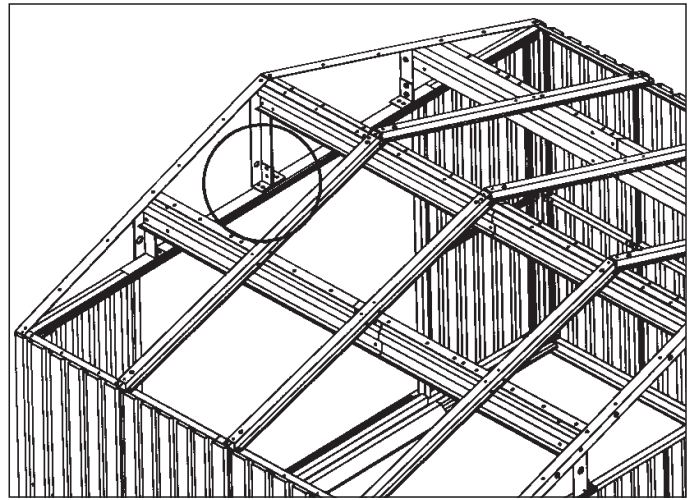
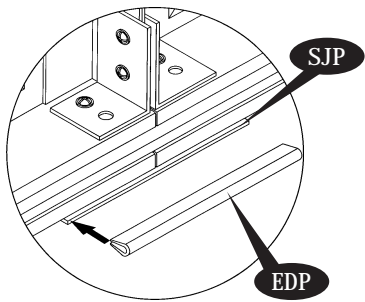


IMPORTANT

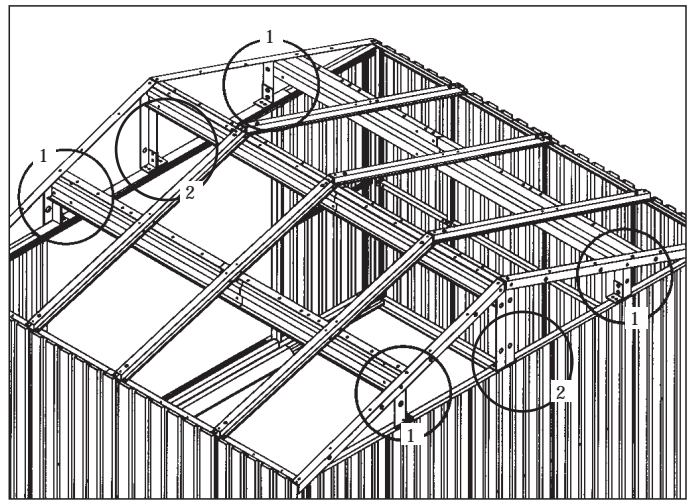
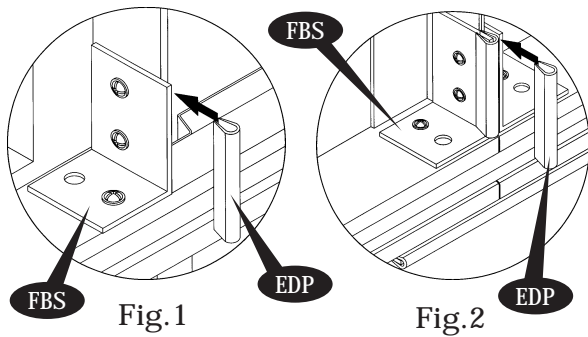
16. Fix the plastic screw cover (PC) to the screws and bolts edge from inside to prevent injury.



17. Cut the Edging Profile (EDP) to the required length and insert to the Sliding Channel joint (SJP) to prevent injury. See fig.



18. Cut the Edging Profile (EDP) to the required length and insert to the Facia Bracket Support (FBS) to prevent injury. See fig.



19. Cut the Edging Profile (EDP) to the required length and insert to the Support Bracket (SB3AP & SB4AP) to prevent injury. See fig.

